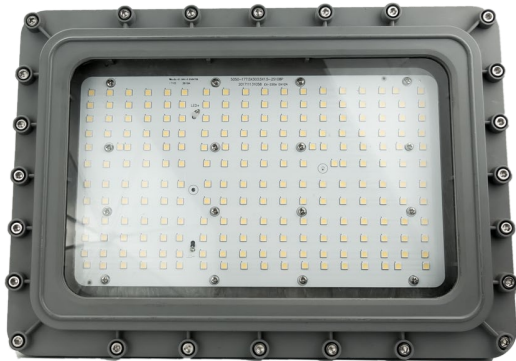


CLASS I, DIV. I, GROUPS C,D / DIV. 2 GROUPS A,B,C,D - T4
CLASS II, DIV. I, GROUPS E,F,G / DIV. 2 GROUPS E,F,G - T4
CLASS III - T4



APPLICATIONS

- Oil & Gas Facilities
- Electrical Buildings
- Mining Environments
- Marine Environments
- Indoor / Outdoor Applications
- Harsh Conditions
- Processing Facilities
- Manufacturing
- Hazardous Areas



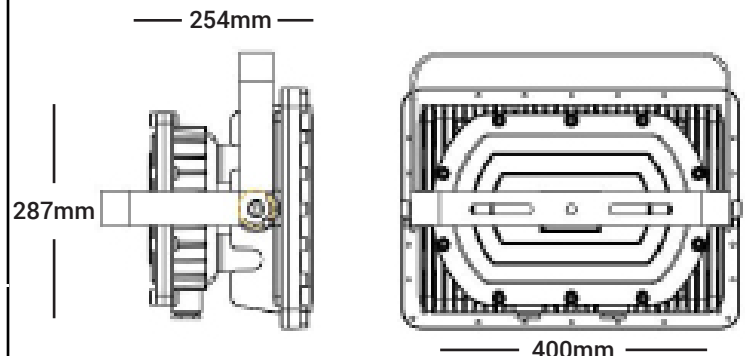
-40°C / +45°C
-40°C / +55°C

The XFL Series Bay Light is the perfect solution for low/medium lighting applications in extreme environments. This fixture provides high output LED's along with high-quality construction offering industry leading performance and durability for your hazardous area lighting needs.

TECHNICAL SPECIFICATIONS

VOLTAGE	120-277V or 347-480V
POWER FACTOR	<95%
LED LUMINOUS EFFICIENCY	140 (LM/W)
MAX LUMEN OUTPUT	30,800 LM
COLOUR TEMPERATURE	4000-5700K
COLOUR RATING INDEX	Ra>70
LENS	Optical Glass
PROTECTION	IP66
FREQUENCY	50-60 Hz
LED CHIP	Phillips
LED DRIVER	Meanwell
MAXIMUM INTENSITY ANGLE	120°
WORK TEMPERATURE	-40°C to +55°C (30W-150W) -40°C to +45°C (200W-220W)
WORK HUMIDITY	15% to 95% RH
CHIP LIFE EXPECTANCY	80000 Hrs
FIXTURE	Aluminum Alloy Housing - Industrial Grade Powder Coating
WEIGHT	17.9Kg

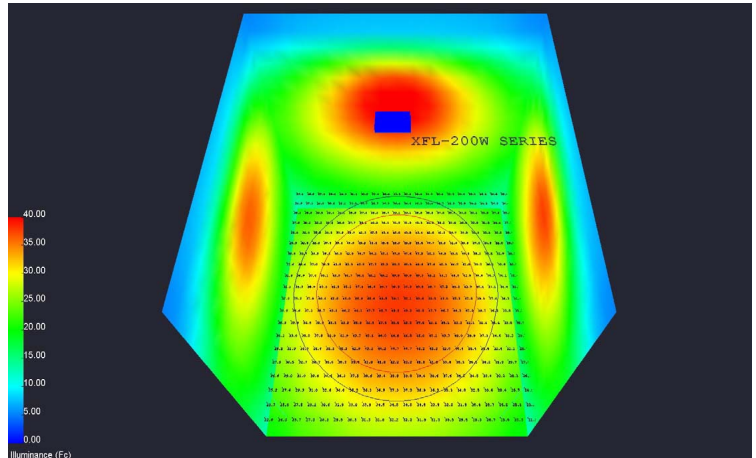
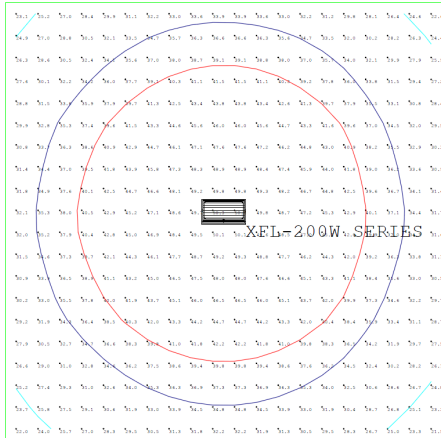
DIMENSIONS



APPROVED ETL Listed / Tested To CSA and UL Standards

OPTICS

PHOTOMETRIC RENDERING (200W / 120°)



Room Dimensions: 20' x 20' x 20'
Fixture Mounted @ 20'

MOUNTING



STANDARD BRACKET
(BS)



SLIP FITTER
(SF)

ORDERING INFORMATION

PART NUMBER EXAMPLE: LS - XFL- 30W - MV - 40 - BS - 12D

WATTAGE	VOLTAGE	COLOUR TEMP	MOUNTING	OPTICS
30W	MV 120-277VAC	40 4000K	BS STANDARD BRACKET	12D STANDARD (120°)
60W	HV 347-480VAC	50 5000K	SF SLIP FITTER	90D WIDE LENS (90°)
100W		57 5700K		60D MEDIUM LENS (60°)
150W				40D NARROW LENS (40°)
200W				
220W				