

APPLICATIONS

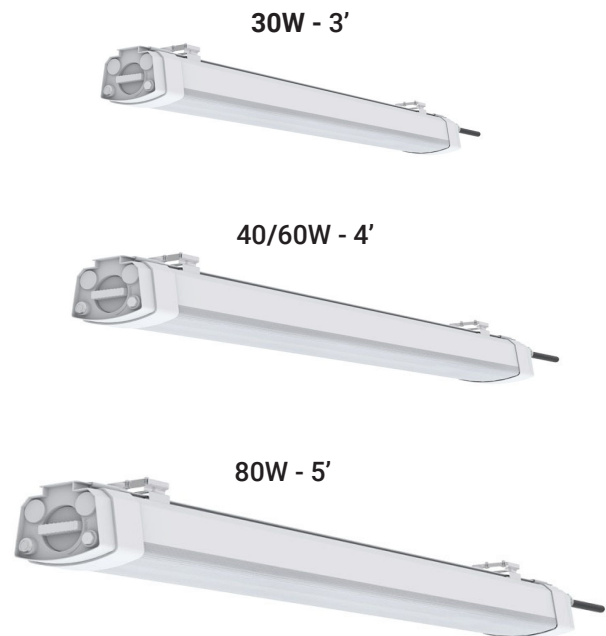
- Recreational Facilities
- Commercial Stores
- General Lighting
- Processing Facilities
- Manufacturing
- Storage
- Wet Locations
- Low/Medium Mounting

The VPL series is suited for various low and medium lighting applications, including wet atmospheres. This fixture is equipped with high-performance LED's along with high quality construction offering industry leading performance and durability for your lighting needs.

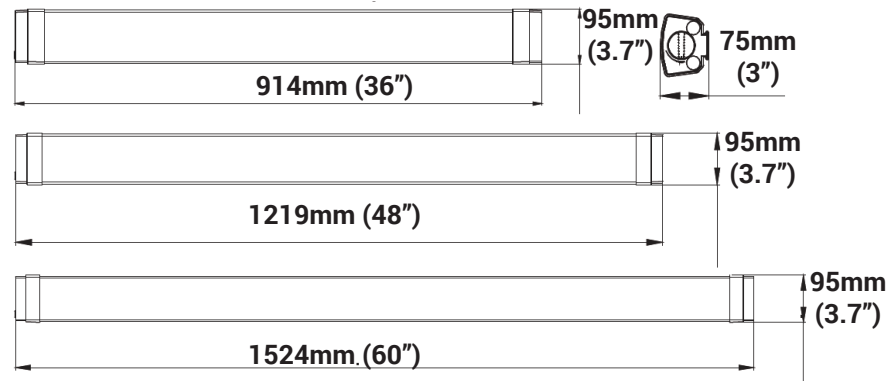
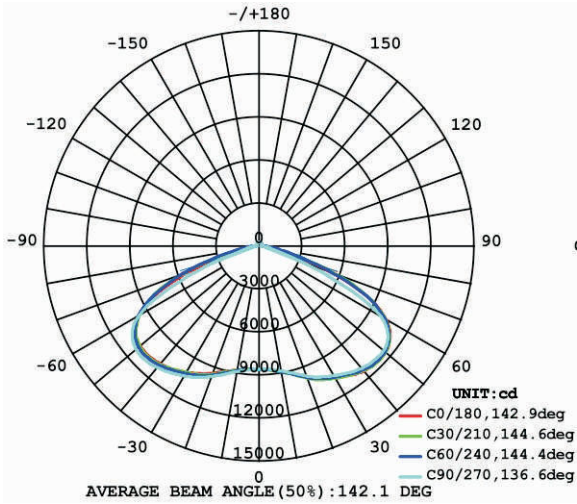
TECHNICAL SPECIFICATIONS

VOLTAGE	120-277V
POWER FACTOR	≤ 95%
LED LUMINOUS EFFICIENCY	115 (LM/W)
MAX LUMEN OUTPUT	9200 LM
COLOUR TEMPERATURE	3000-5700K
COLOUR RATING INDEX	Ra>80
LENS	Optical Poly-Carbonate
PROTECTION	Wet Location IP65
FREQUENCY	50/60Hz
LED CHIP	Phillips 3030
LED DRIVER	High Performance
DISTRIBUTION TYPE	120°
WORK TEMPERATURE	-40°C to +40°C
WORK HUMIDITY	15% to 95% RH
CHIP LIFE EXPECTANCY	80,000 Hours
FIXTURE	Aluminum Alloy Housing
WEIGHT	1.55kg-2.74kg
APPROVED	cULus Certified DLC Pending

DIMENSIONS



OPTICS

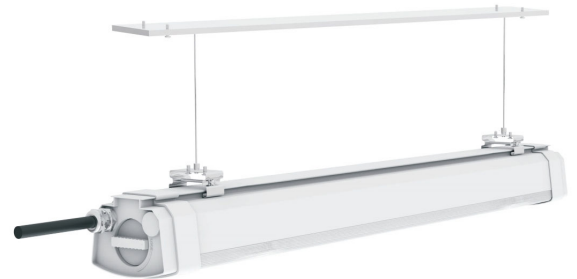


120°

MOUNTING



SURFACE MOUNTING



SUSPENDED

ORDERING INFORMATION

PART NUMBER EXAMPLE: LS - VPL - 30W - MV - 5K

WATTAGE	VOLTAGE	COLOUR TEMP
30W	MV 120-277V	5K 5700K (STANDARD)
40W		4K 4000K (CUSTOM)
60W		3K 3000K (CUSTOM)
80W		