

VPL SERIES

30W | 40W | 60W | 80W

General Rated LED Vapour Tite Light

High Lumen Output
Optimized Retrofit Accessories Designed for
industrial applications



-20°C | +50°C

Key Applications

- Recreational Facilities
- Commercial Stores
- General Lighting
- Processing Facilities
- Manufacturing
- Storage
- Wet Locations
- Low/Medium/High Mounting

Compliances

UL/cUL Listed to:

- UL 1598 Suitable for Wet Locations

IP65

Specifications

Voltage	120-277V or 0-10V Dimming
Power Factor	<95%
Efficacy	150 Lumens/Watt
Lumen Output	LS-VPL-30W: 4,500 LM LS-VPL-40W: 6,000 LM LS-VPL-60W: 9,000 LM LS-VPL-80W: 12,000 LM
Colour Temp.	5000K Standard Custom CCT Available
CRI	RA>80
Frequency	50-60Hz
LED Diodes	Samsung
Power Supply	0-10V Dimming Available
Optics	120°
Operating Temp	-20°C to +50°C
Weight	LS-VPL-30W: 4 Lbs LS-VPL-40W: 5 Lbs LS-VPL-60W: 6 Lbs
Connections	1/2" NPT
Mounting	Surface Mounted (Standard)
Warranty	5 Year Standard



30W - 3'



40W - 4'



60W - 5'

For IES files, see website or contact Lumisave

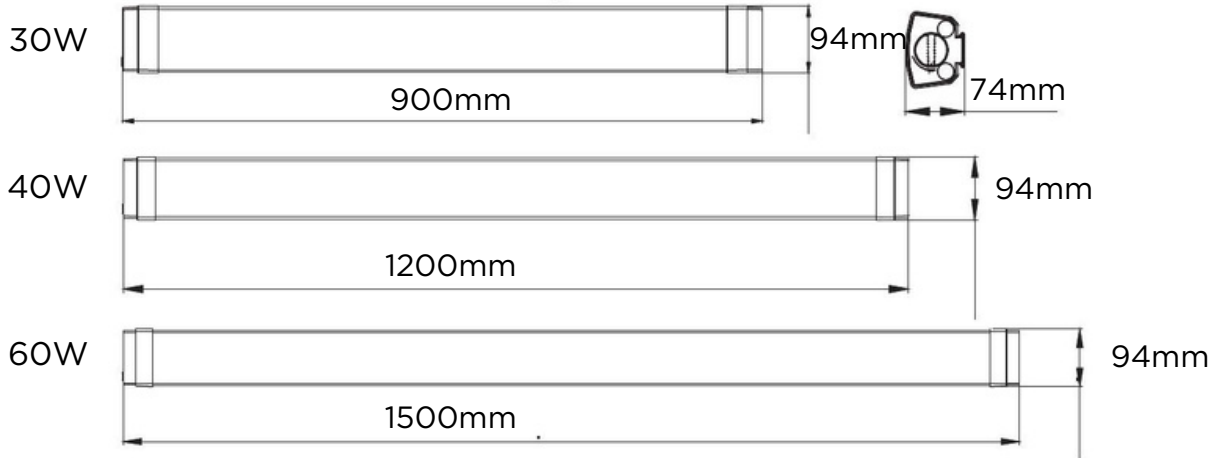


VPL SERIES

General Rated LED Vapour Tite Light



Dimensions



Ordering Information

Example: LS-VPL-30W-MV-5K

Model	Wattage	Voltage	Colour Temp
LS-VPL	30W	MV	5K
	40W		CTM
	60W		

Wattage	Volatge	Colour Temp
30W	MV 120-277V	5K 5000K (Standard)
40W		CTM Custom (Upon Request)
60W		

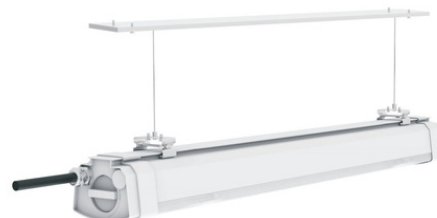
Notes

- 1 Special project pricing and support available upon inquiry
- 2 Product customization available upon consultation

Mounting Accessories



Surface Mounted



Suspended