

**IP65**



-40°C / +45°C



**GENERAL LOCATION RATED**

**FEATURES**

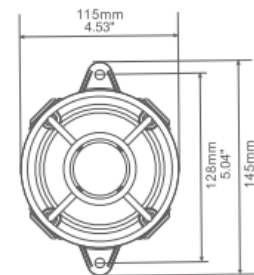
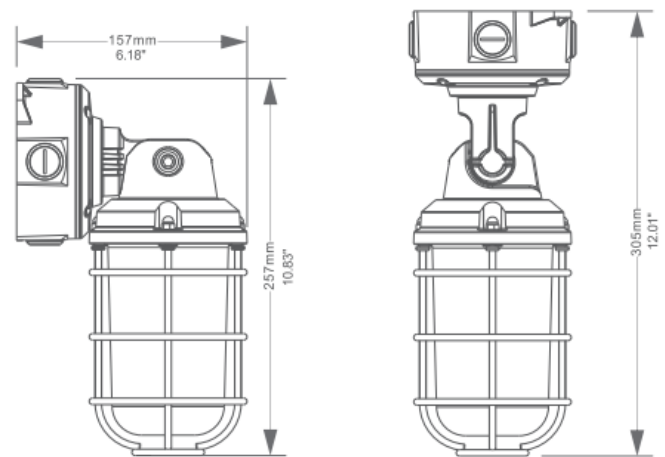
- Building exteriors
- Building Interiors
- Area Lighting
- Task Lighting
- Walkways
- Low/Medium Mounting

This new LED area light fixture excels in industrial areas where space is limited. The fixture design allows for surface mounting on ceilings or by rotating the adjustable arm it is able to be wall mounted for various applications. Build with functionality and performance in mind the VMM series may be a perfect fit for your next project

**TECHNICAL SPECIFICATIONS**

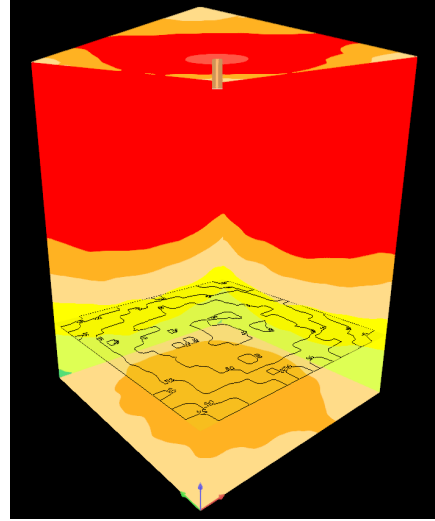
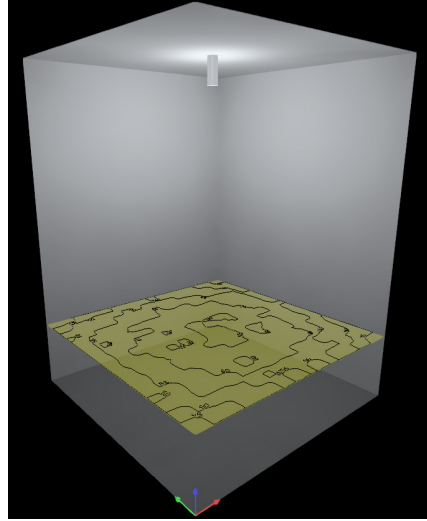
VOLTAGE	120-277V
POWER FACTOR	<95%
LED LUMINOUS EFFICIENCY	110 (LM/W) (RATED)
MAX LUMEN OUTPUT	3,000LM
COLOUR TEMPERATURE	3000-5700K I 5000K STANDARD
COLOUR RATING INDEX	Ra>70
LENS	LEXAN
PROTECTION	Wet location IP65
FREQUENCY	50-60 Hz
LED CHIP	LUMILEDS 3030
LED DRIVER	SOSEN
MAXIMUM INTENSITY ANGLE	180°
WORK TEMPERATURE	-40°C to +45°C
WORK HUMIDITY	15% to 95% RH
CHIP LIFE EXPECTANCY	80000 Hrs
FIXTURE	Aluminum Alloy Housing
WEIGHT	1.1KG
APPROVED	UL Listed, Tested to CSA Standards

**DIMENSIONS**



**20W | 30W**

**OPTICS**



**MOUNTING**



90° SURFACE MOUNT



180° SURFACE MOUNT

**ORDERING INFORMATION**

PROJECT NAME	PROJECT LOCATION	COMMENTS	PREPARED BY

PART NUMBER EXAMPLE: LS-VMM-MV-5K

MODEL	WATTAGE	VOLTAGE	COLOUR TEMP
-	-	-	-
LS-VMM	20W 30W	MV 120-277V	5K - 5000K 4K - 4000K 3K - 3000K