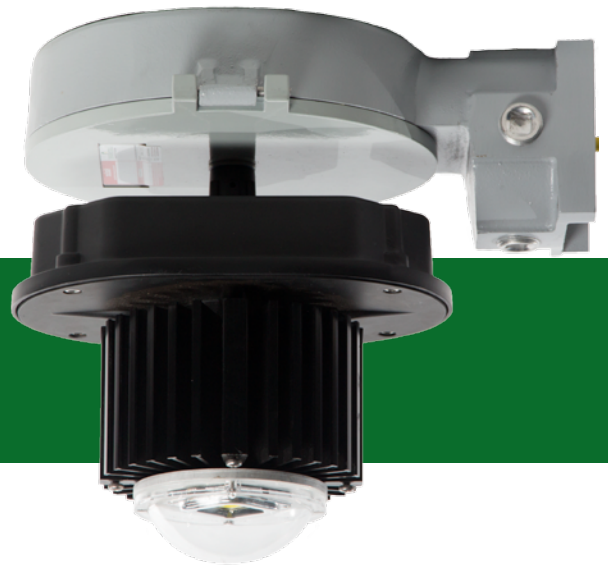


# UAP Adaptor

Available for BL420 and BL520 Series



Lumisave has developed an Adaptor Plate suitable for any retro fit application that replaces old Crouse-Hinds HID fixtures. Our adaptor plate can accommodate both BL420 and BL520 Series fixtures while providing quick and easy installation. The UAP is intended to **replace all existing VMV and DMV Wall-Mount and Stanchion-Mount applications currently in place**. The simple design allows the installer to remove the existing HID fixture while leaving the wiring and mounting base in place and with the adaptor plate installed on the appropriate BL Series fixture simply hang the plate on the existing base, connect the fixture wire to the existing wiring and close up. The UAP allows your next lighting upgrade project to be Quick, Easy and Cost Effective.

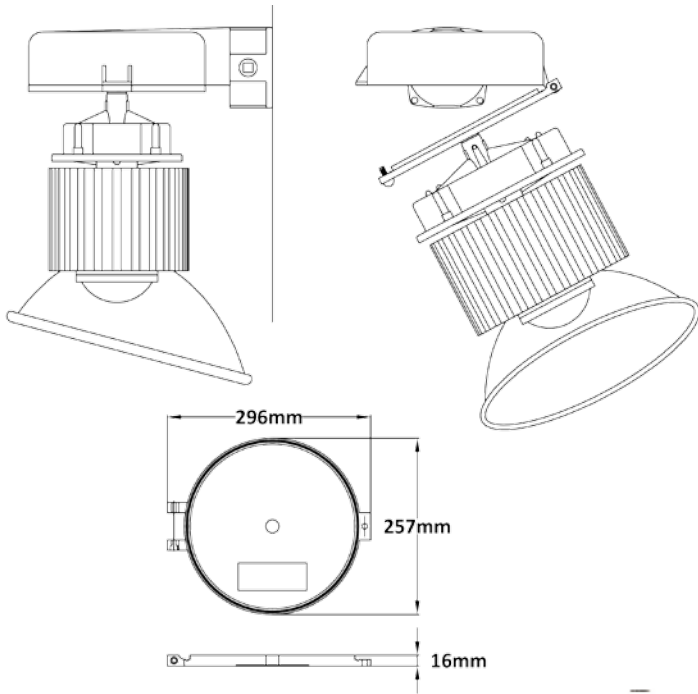
## Recommended Use

The UAP is a bracket adaptor plate to retrofit the BL420 and the BL520 to fit your mounting requirements. Suitable for both wet and dry locations, the UAP adaptor plate allows you to shine in any situation.



# UAP ADAPTOR

**DIMENSIONS** - all measurements in millimetres



## Specifications

Series Compatibility	BL420/BL520
Supplied Hardware	1/2" Stainless Nipple, Gaskets, Cover Screw, Marrets
Work Temperature	-40°C to +40°C
Work Humidity	10% to 95% RH
Fixture	Grey Aluminum Alloy Housing
Weight	4.5 kg
Protection	Wet Location, IP65
Certification	Class 1 Div II, Class 2 Div II, RoHS, CE, cETLus.
Approved	Tested to CSA and UL Standards

