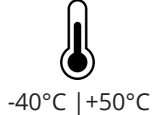


High Lumen Output  
Optimized Retrofit Accessories Designed for industrial applications



### Key Features

- High Powered LED Street Light for various applications
- 140 Lumen/Watt Output (Rated Values)
- Optimized Retrofit Accessories
- Designed for industrial applications
- 10-Year Standard Warranty
- Tool-less Access
- Built in Surge Protection
- 3G high vibration rating
- Salt Spray testing compliance

### Compliances

UL/cUL Listed to:

- UL 1598 Suitable for Wet Locations

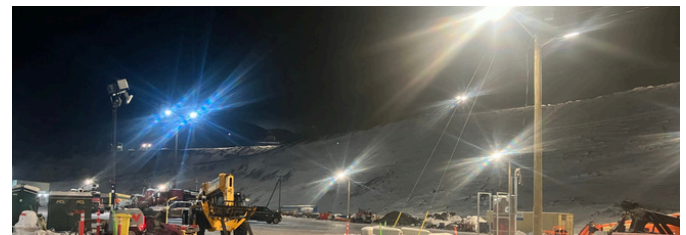
IP66



### Specifications

<b>Voltage</b>	120-277V or 347-480V
<b>Power Factor</b>	<95%
<b>Efficacy</b>	140 Lumens/Watt
<b>Lumen Output</b>	LS-RSL-30W: 4,200 LM LS-RSL-60W: 8,400 LM LS-RSL-80W: 11,200 LM LS-RSL-100W: 14,000 LM LS-RSL-120W: 16,800 LM LS-RSL-150W: 21,000 LM LS-RSL-180W: 25,200 LM LS-RSL-200W: 28,000 LM LS-RSL-240W: 33,600 LM
<b>Colour Temp.</b>	5000K Standard   Custom CCT Available
<b>CRI</b>	RA>80
<b>Frequency</b>	50-60Hz
<b>LED Diodes</b>	Phillips
<b>Power Supply</b>	Meanwell
<b>Optics</b>	120°
<b>Operating Temp</b>	-40°C to +50°C
<b>Weight</b>	11 - 19 LBS
<b>Connections</b>	1/2" NPT
<b>Mounting</b>	Surface Mounted (Standard)
<b>Warranty</b>	5 Year Standard

For IES files, see website or contact Lumisave

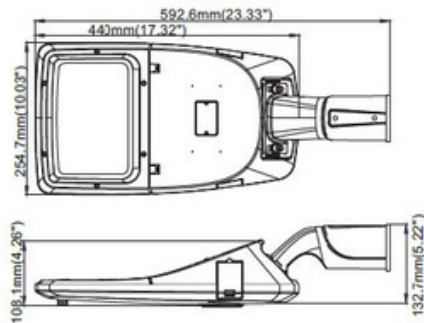


# RSL SERIES

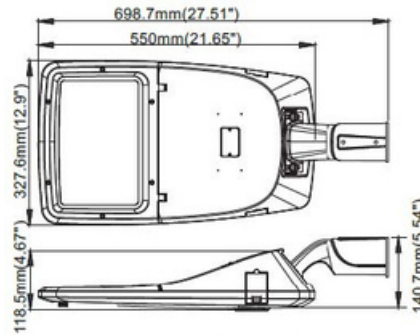
General Rated LED Roadway Light



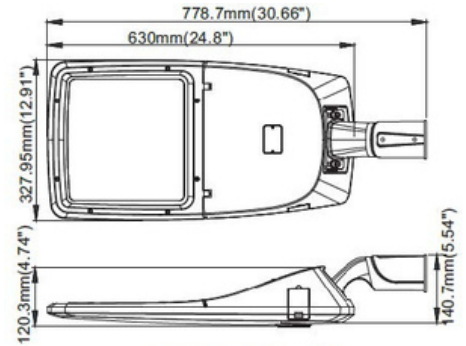
## Dimensions



30W/60W/80W



100W/120W/150W



180W/200W/ 240W

## Ordering Information

Example: LS-LBL-50W-MV-5K-NB-W7-MS

Model	Wattage	Voltage	Colour Temp	Optics	Cable
LS-LBL	30W	MV	3K	T2	PC
	60W	HV	4K	T3	PCN
	80W	MVD	5K	T4	
	100W	HVD		T5	
	120W				
	150W				
	180W				
	200W				
	240W				

Wattage	Volatge	Colour Temp	Optics	Accessories
<b>30W</b>	<b>MV</b> 120-277V	<b>3K</b> 3000K	<b>T2</b> Type II	<b>PC</b> Photo Cell
<b>60W</b>	<b>HV</b> 347-480V	<b>4K</b> 4000K	<b>T3</b> Type III	<b>PCN</b> No Photo Cell
<b>80W</b>	<b>MVD</b> Dimmable 120-277V	<b>5K</b> 5000K	<b>T4</b> Type VI	
<b>100W</b>	<b>HVD</b> Dimmable 347-480V		<b>T5</b> Type V	
<b>120W</b>				
<b>150W</b>				
<b>180W</b>				
<b>200W</b>				
<b>240W</b>				

### Notes

- 1 Special project pricing and support available upon inquiry
- 2 Product customization available upon consultation