

ROADWAY APPLICATIONS



-40°C / + 50°C

FEATURES

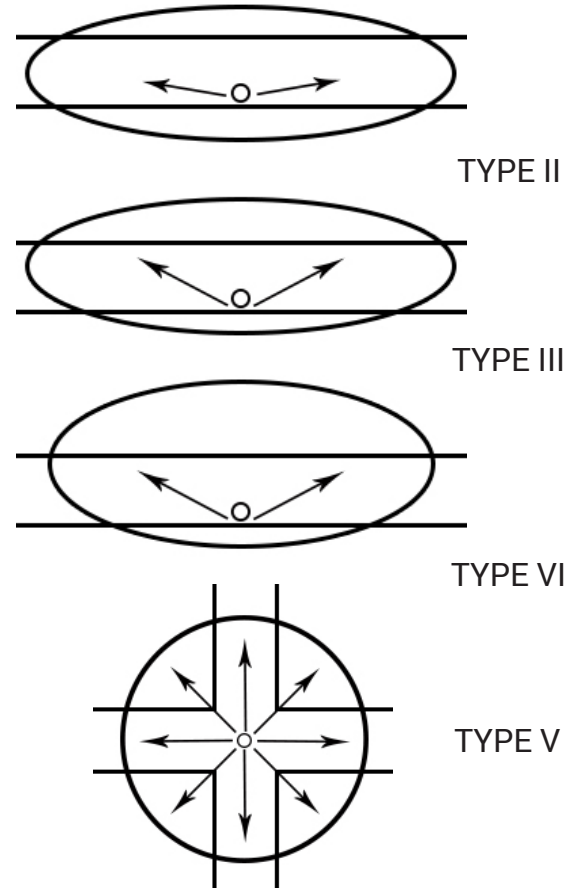
- High Powered LED Street Light for various applications
- 140 Lumen/Watt Output (Rated Values)
- Optimized Retrofit Accessories
- Designed for industrial applications
- 10-Year Standard Warranty
- Tool-less Access
- Built in Surge Protection
- 3G high vibration rating
- Salt Spray testing compliance

The RSL Series Roadway Light is the perfect solution for street lighting applications in various environments. This fixture provides high output LED's along with high quality construction offering industry leading performance and durability for your roadway lighting requirements.

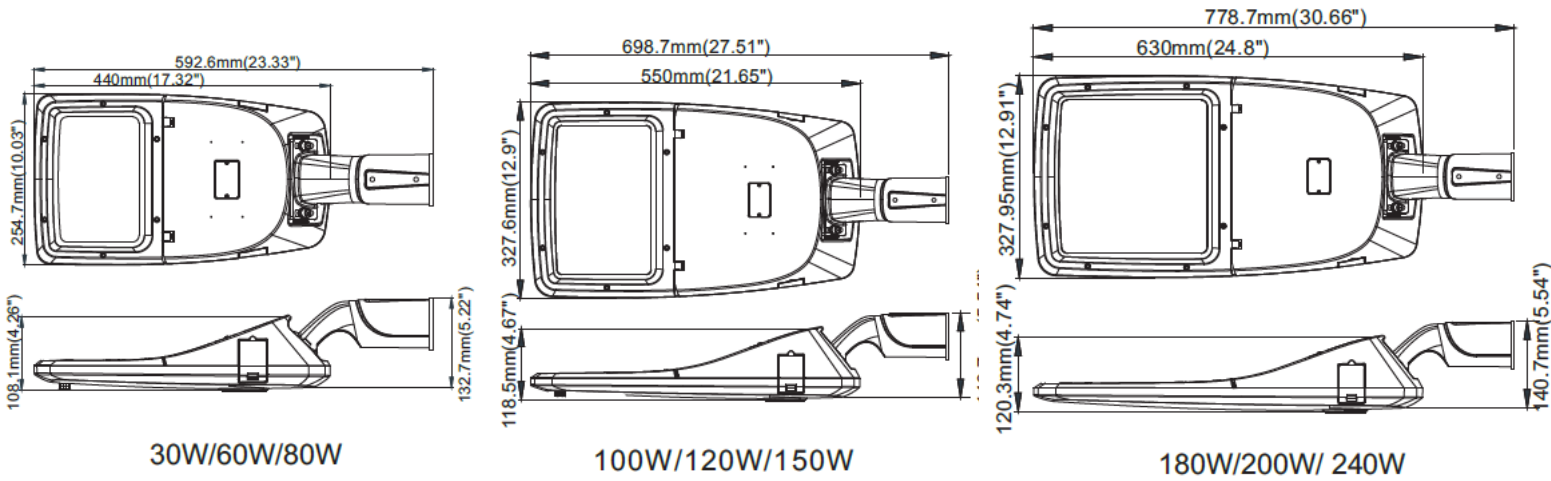
TECHNICAL SPECIFICATIONS

VOLTAGE	120-277V or 347-480V
POWER FACTOR	<95%
LED LUMINOUS EFFICIENCY	140 (LM/W) (RATED)
MAX LUMEN OUTPUT	28,000 LM (RATED)
COLOUR TEMPERATURE	3000K/4000K/5000K
COLOUR RATING INDEX	Ra>80
LENS	Glass & Optical Polycarbonate
PROTECTION	IP66
FREQUENCY	50-60 Hz
LED CHIP	LumiLEDs (Philips)
LED DRIVER	MEANWELL
MAXIMUM INTENSITY ANGLE	120°
WORK TEMPERATURE	-40°C to +50°C
WORK HUMIDITY	15% to 95% RH
CHIP LIFE EXPECTANCY	80000 Hrs
FIXTURE	Aluminum Alloy Housing
WEIGHT	5KG - 8.5KG

OPTICS



DIMENSIONS



FEATURES

- Self-Clean**
Smooth body design greatly reduces dust / debris accumulation.
- Tool-less Design**
Integrated housing clips allow for fixture access without the need for tools.
- Housing Material**
Housing comprised of high-quality ADC12 Die Casting aluminum. Heavy industrial powder coating allows for use in harsh environments.
- Multiple Mounting**
Mounting accessory can be rotated 180° to accommodate post-top & horizontal arm mounting. Adjustable by +/- 15°.
- Clear Glass + Anti-UV PC Lens**
Philips LED light source provides industry leading LED lighting quality & output. Polycarbonate Lens offers various lighting distribution patterns.

ORDERING INFORMATION

PROJECT NAME	PROJECT LOCATION	COMMENTS	PREPARED BY

PART NUMBER EXAMPLE: LS-RSL-20W-MV-3K-T2-PC

MODEL	WATTAGE	VOLTAGE	COLOUR TEMP	OPTICS	ACCESSORIES
-	-	-	-	-	-
LS-RSL	30W 60W 80W 100W 120W 150W 180W 200W 240W	MV 120-277V HV 347-480V MVD Dimmable 120-277V HVD Dimmable 347-480V	3K - 3000K 4K - 4000K 5K - 5000K	T2 - TYPE II T3 - TYPE III T4 - TYPE VI T5 - TYPE V	PC - PHOTO CELL PCN - NO PHOTO CELL