

CLASS I, DIV. 2 GROUPS A,B,C,D - T4A/T5/T6
CLASS II, DIV. I, GROUPS E,F,G / DIV. 2 GROUPS E,F,G - T4A/T5/T6
CLASS III - T4A/T5/T6



-40°C / +55°C

APPLICATIONS

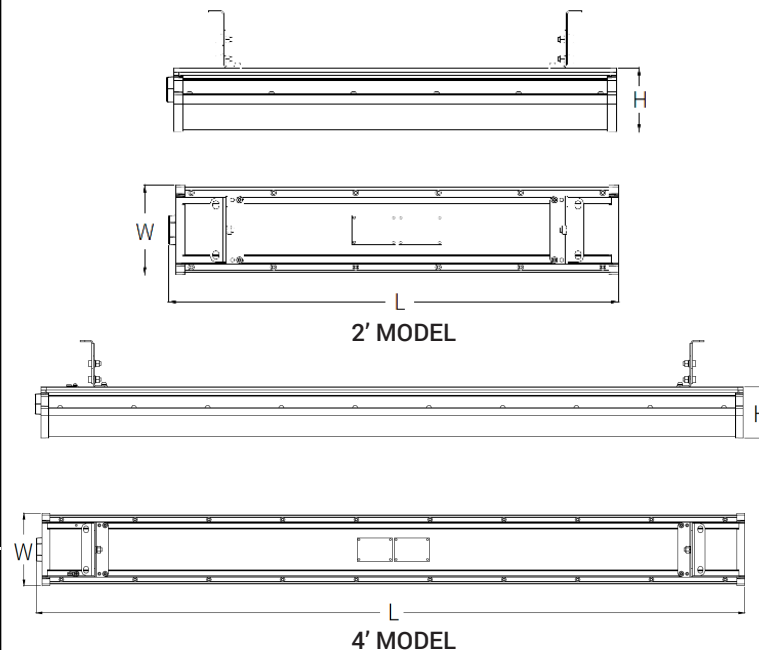
- Oil & Gas Facilities
- Electrical Buildings
- Mining Environments
- Forestry Facilities
- Indoor / Outdoor Applications
- Harsh Conditions
- Processing Facilities
- Manufacturing
- Hazardous Areas
- Thru Wiring

The LNL Series Linear Light is the perfect solution for low mounted lighting applications requiring low clearance. This fixture provides high output LED's along with high-quality construction offering industry leading performance and durability for your hazardous area lighting needs.

TECHNICAL SPECIFICATIONS

VOLTAGE	120-277V or 347-480V
POWER FACTOR	<95%
LED LUMINOUS EFFICIENCY	140 (LM/W)
MAX LUMEN OUTPUT	8100 LM
COLOUR TEMPERATURE	3000-6500K
COLOUR RATING INDEX	Ra>70
LENS	Optical Poly-Carbonate
PROTECTION	IP66
FREQUENCY	50-60 Hz
LED CHIP	Phillips
LED DRIVER	Meanwell
MAXIMUM INTENSITY ANGLE	120°
WORK TEMPERATURE	-40°C to +55°C
WORK HUMIDITY	15% to 95% RH
CHIP LIFE EXPECTANCY	80000 Hrs
FIXTURE	ADC12 and 6063 Aluminum
WEIGHT	4Kg-5.5Kg
APPROVED	CSA C22.2 No. 137; CSA C22.2 No. 250.0; UL 844; UL 1598;

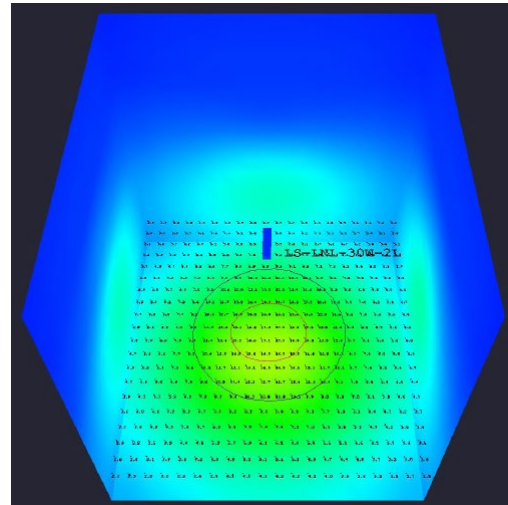
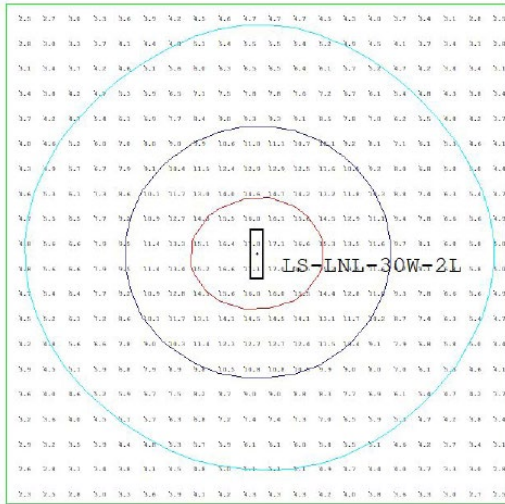
DIMENSIONS



MODEL	L	W	H
2' MODEL	24.8"	4.9"	3.5"
4' MODEL	48.4"	4.9"	3.5"

OPTICS

PHOTOMETRIC RENDERING (30W / 120°)



Room Dimensions: 20' x 20' x 20'
Fixture Mounted @ 12'

MOUNTING



WALL MOUNT
(MW)



PENDANT MOUNT
(MP)



POLE MOUNT
(MPP)



CHAIN MOUNT
(MC)

ORDERING INFORMATION

PART NUMBER EXAMPLE: LS - LNL- 30W -2L- MV - 30K - MW - H1

WATTAGE	LENGTH		VOLTAGE		COLOUR TEMP		MOUNTING		LOCATION	
30W	2L	2' (30-50W)	MV	120-277VAC	30K	3000K	MW	WALL MOUNT	H1	HAZARDOUS
40W	4L	4' (40-75W)	HV	347-480VAC	40K	4000K	MC	CEILING MOUNT		
50W					50K	5000K	MP	PENDANT MOUNT		
60W					65K	6500K	MPP	POLE MOUNT		
65W										
75W										