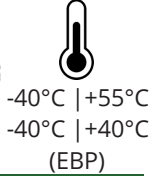


LNL SERIES

30W | 40W | 50W | 60W | 65W | 75W

Hazardous Rated LED Linear Light

UL844 hazardous rated linear light designed for
Heavy Industrial environments
High Lumen Output
Optimized Retrofit Accessories Designed for
industrial applications



Key Applications

- Oil & Gas Facilities
- Electrical Buildings
- Mining Environments
- Forestry Facilities
- Indoor / Outdoor Applications
- Harsh Conditions
- Processing Facilities
- Manufacturing
- Hazardous Areas
- Thru Wiring

Compliances

UL/cUL Listed to:

- UL 1598 Suitable for Wet Locations
- UL 844 Hazardous Locations
- CLASS I, DIV. 2 GROUPS A,B,C,D - T4A/T5/T6
- CLASS II, DIV. I, GROUPS E,F,G
- CLASS II, DIV. 2 GROUPS E,F,G - T4A/T5/T6

IP66



Specifications

Voltage	120-277V or 347-480V
Power Factor	<95%
Efficacy	140 Lumens/Watt
Lumen Output	LS-LNL-30W: 4,200 LM LS-LNL-40W: 5,600 LM LS-LNL-50W: 7,000 LM LS-LNL-60W: 8,400 LM LS-LNL-65W: 9,100 LM LS-LNL-75W: 10,500 LM
Colour Temp.	5000K Standard Custom CCT Available
CRI	RA>70
Frequency	50-60Hz
LED Diodes	Phillips
Power Supply	Meanwell
Optics	120°
Operating Temp	-40°C to +55°C -40°C to +40°C (Emergency Battery Pack Model)
Weight	LS-LNL (2FT) = Approx. 6.5 Lbs LS-LNL (4FT) = Approx. 12 Lbs
Connections	3/4" NPT
Mounting	Wall Mount (MW) Pendant Mount (MP) Pole Mount (MPP) Chain Mount (MC)
Warranty	5 Year Standard

For IES files, see website or contact Lumisave

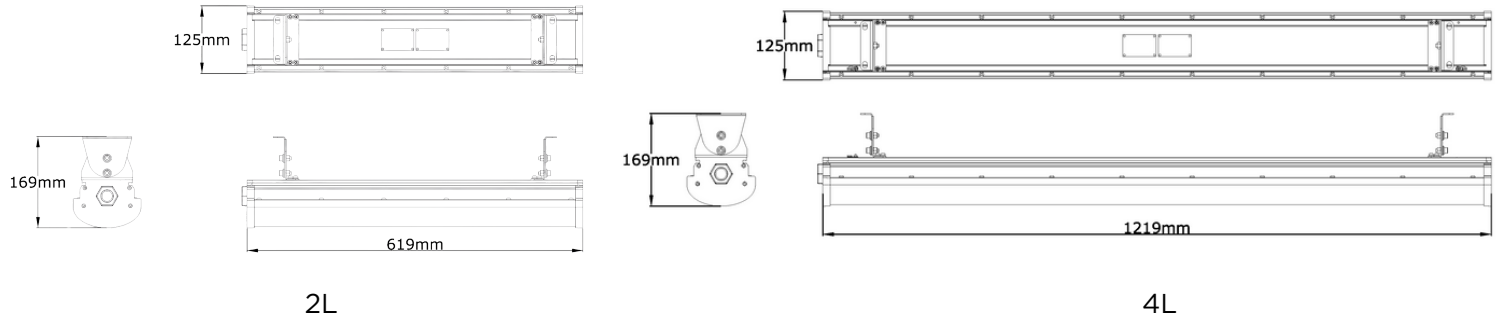


LNL SERIES

Hazardous Rated LED Linear Light



Dimensions



Ordering Information

Example: LS-LNL-30W-2L-MV-30K-MW-H1-EBP

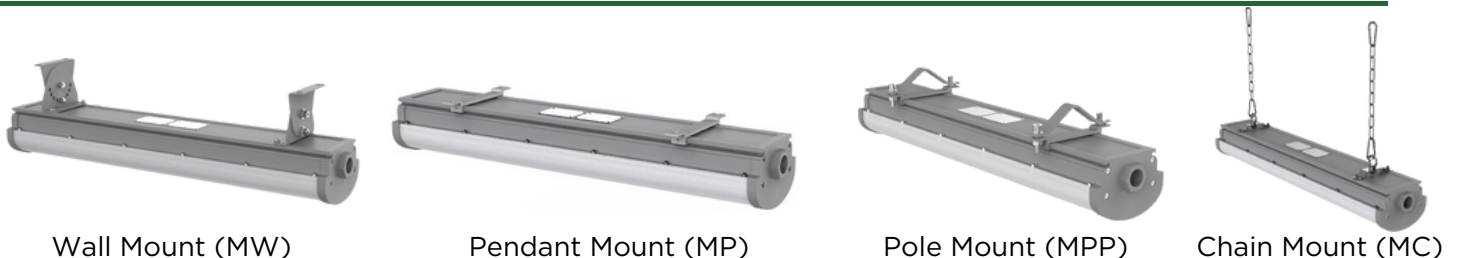
Model	Wattage	Length	Voltage	Colour Temp	Mounting	Location	Accessory
LS-LNL	30W	2L (30-50W)	MV	30K	MW	H1	EBP
	40W	4L (40-75W)	HV	40K	MP		
	50W			50K	MPP		
	60W			65K	MC		
	65W						
	75W						

Wattage	Length	Voltage	Colour Temp	Mounting	Location	Accessory
30W	2L 2'	MV 120-277VAC	30K 3000K	MW Wall Mount	H1 Hazardous	EBP Emergency Battery Pack
40W	4L 4'	HV 347-480VAC	40K 4000K	MP Pendant Mount		
50W			50K 5000K	MPP Pole Mount		
60W			65K 6500K	MC Chain Mount		
65W						
75W						

Notes

- 1 Special project pricing and support available upon inquiry
- 2 Product customization available upon consultation

Mounting Accessories



Wall Mount (MW)

Pendant Mount (MP)

Pole Mount (MPP)

Chain Mount (MC)