

**CLASS I, DIV. 2 GROUPS A,B,C,D - T4A/T5/T6**  
**CLASS II, DIV. I, GROUPS E,F,G / DIV. 2 GROUPS E,F,G - T4A/T5/T6**  
**UL1598A MARINE OUTSIDE TYPE (SALTWATER)**



-40°C / +55°C  
-40°-+40°C  
(EBP)

**APPLICATIONS**

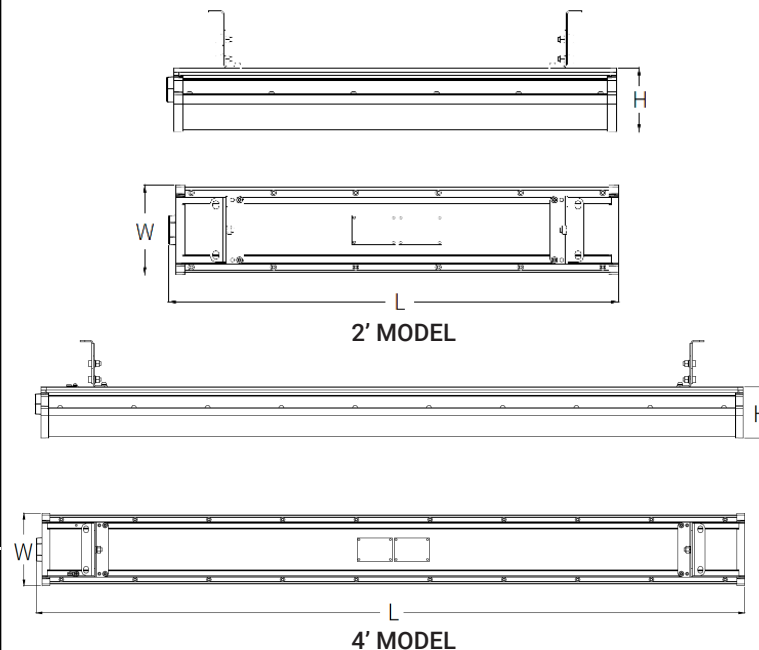
- Oil & Gas Facilities
- Electrical Buildings
- Mining Environments
- Forestry Facilities
- Indoor / Outdoor Applications
- Harsh Conditions
- Processing Facilities
- Manufacturing
- Hazardous Areas
- Thru Wiring

The LNL Series Linear Light is the perfect solution for low mounted lighting applications requiring low clearance. This fixture provides high output LED's along with high-quality construction offering industry leading performance and durability for your hazardous area lighting needs. Now with UL1598A Ratings for corrosive environments.

**TECHNICAL SPECIFICATIONS**

VOLTAGE	120-277V or 347-480V
POWER FACTOR	<95%
LED LUMINOUS EFFICIENCY	140 (LM/W)
MAX LUMEN OUTPUT	8100 LM
COLOUR TEMPERATURE	3000-6500K
COLOUR RATING INDEX	Ra>70
LENS	Optical Poly-Carbonate
PROTECTION	IP66
FREQUENCY	50-60 Hz
LED CHIP	Phillips
LED DRIVER	Meanwell
MAXIMUM INTENSITY ANGLE	120°
WORK TEMPERATURE	-40°C to +55°C -40°C to +40°C (Emergency Battery Pack Model)
WORK HUMIDITY	15% to 95% RH
CHIP LIFE EXPECTANCY	80000 Hrs
FIXTURE	ADC12 and 6063 Aluminum
WEIGHT	4Kg-5.5Kg
APPROVED	CSA C22.2 No. 137; CSA C22.2 No. 250.0; UL 844; UL 1598; UL1598A

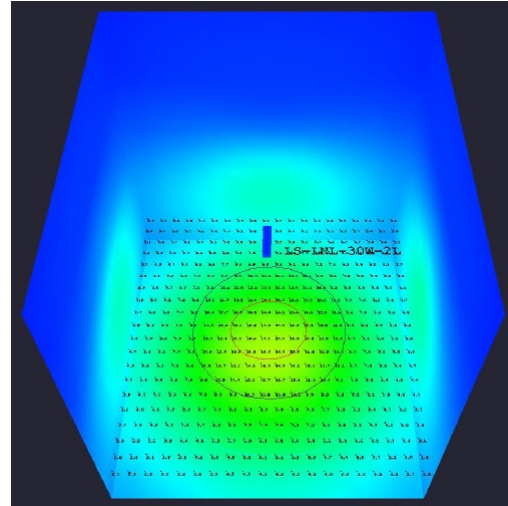
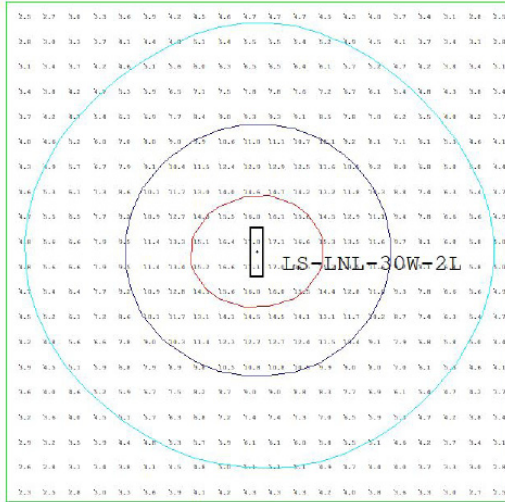
**DIMENSIONS**



MODEL	L	W	H
2' MODEL	24.8"	4.9"	3.5"
4' MODEL	48.4"	4.9"	3.5"

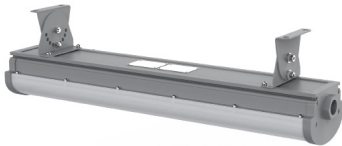
**OPTICS**

**PHOTOMETRIC RENDERING (30W / 120°)**

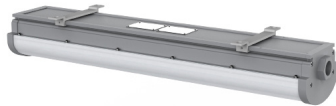


Room Dimensions: 20' x 20' x 20'  
Fixture Mounted @ 12'

**MOUNTING**



**WALL MOUNT**  
(MW)



**PENDANT MOUNT**  
(MP)



**POLE MOUNT**  
(MPP)



**CHAIN MOUNT**  
(MC)

**ORDERING INFORMATION**

**PART NUMBER EXAMPLE: LS - LNL- G2 - 30W -2L- MV - 30K - MW - H1**

WATTAGE	LENGTH	VOLTAGE	COLOUR TEMP	MOUNTING	LOCATION	ACCESSORY
30W	2L 2' (30-50W)	MV 120-277VAC	30K 3000K	MW WALL MOUNT	H1 HAZARDOUS	EBP - EMERGENCY BATTERY PACK (90 Minutes)
40W	4L 4' (40-75W)	HV 347-480VAC	40K 4000K	MC CEILING MOUNT		
50W			50K 5000K	MP PENDANT MOUNT		
60W			65K 6500K	MPP POLE MOUNT		
65W						
75W						