

# Installation Instructions

## HBL SERIES Bay Light

### Important

READ INSTRUCTIONS CAREFULLY BEFORE INSTALLING. KEEP THIS INSTRUCTIONS FOR FUTURE REFERENCE

Fixtures must be wired in accordance with the National electrical code and all applicable local codes. Proper grounding is required for safety.

THIS PRODUCT MUST BE INSTALLED IN ACCORDANCE WITH THE APPLICABLE INSTALLATION CODE BY A QUALIFIED ELECTRICIAN WHO IS FAMILIAR WITH THE CONSTRUCTION AND OPERATION OF THE PRODUCT AND THE HAZARDS INVOLVED.

**WARNING** Risk of fire or electric shock. High bay Light installation requires knowledge of luminaires and electrical systems. If not qualified, DO NOT try to install. Please contact an electrician.

**WARNING** Risk of fire or electric shock. Suitable for wet locations. Make sure the power is off permier to install.

**WARNING** Risk of fire or electric shock. Suitable for non-insulated surface and frame. DO NOT cover fixture with insulation liner or similar material.

**WARNING** DO NOT install in unstable, loose or breakable surfaces.

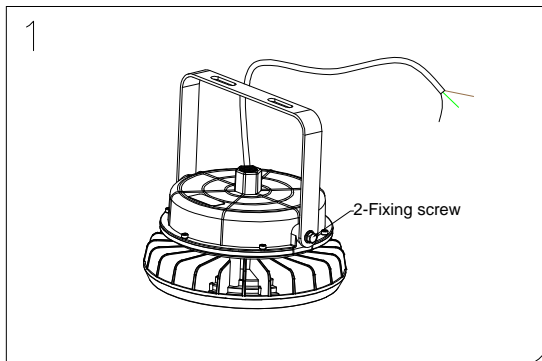
**WARNING** DO NOT let objects impact or exert force on the surface of the fixture.

### Installation and Electrical Connection

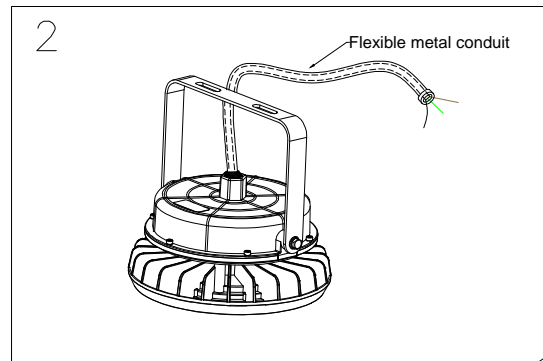


**⚠ WARNING**  
**RISK OF FIRE, ELECTRIC SHOCK OR PERSONAL INJURY**  
Before installation, turn power off.

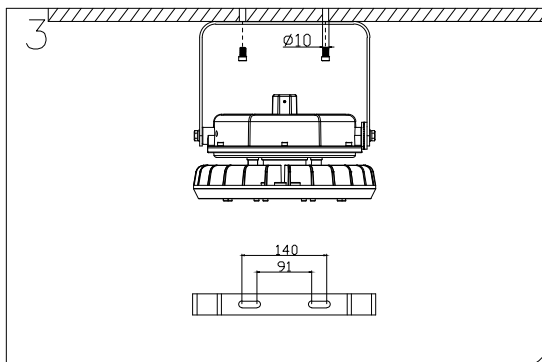
#### 1 The specific steps of installation (Ceiling mounted)



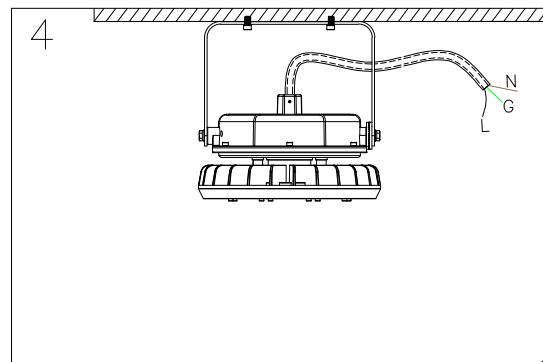
1. Take the fixture and accessory out from cartoon box, tighten 2x angle holder screw as Fig.1.



2. Flexible metal conduit install and tighten with the fixture.

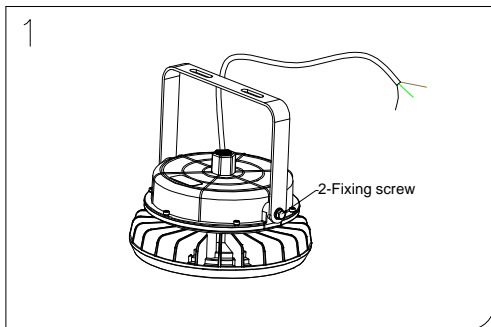


3. Drill 2x hole as Fig.2, the distance can be JFdFI € { 2x3 \* A F(A c) a • q } A & ^, • A a a bracket on ceiling.

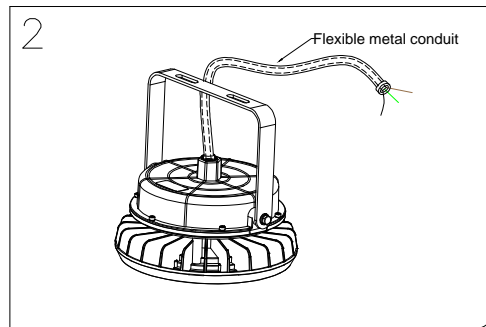


4. Connect the AC cable, Black cable connect to L, white cable connect to N, green cable connect to grounding.

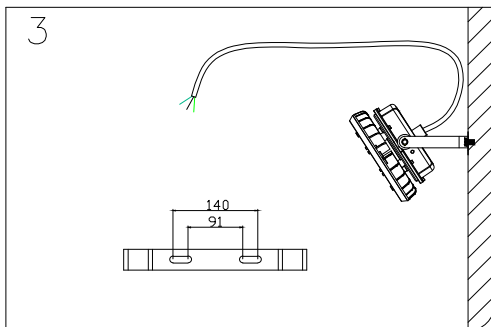
## 2 The specific steps of installation (Wall mounted)



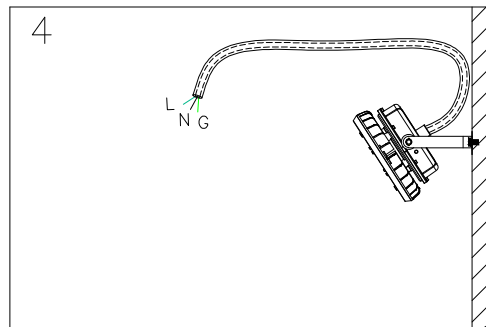
1. Take the fixture and accessory out from cartoon box, tighten 2x angle holder screw as Fig.1.



2. Flexible metal conduit install and tighten with the fixture.

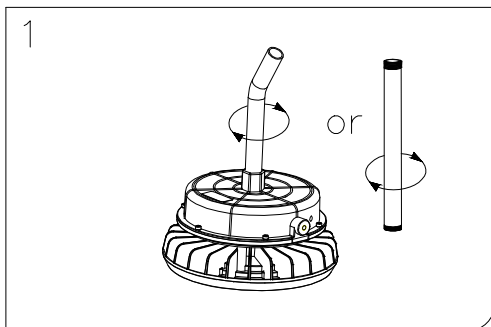


3. Drill 2x hole as Fig.2, the distance can be JFdfI € ( { Éãã \* Á FEA } á • ÷ } Á & ^ , • Á ã á bracket on wall.

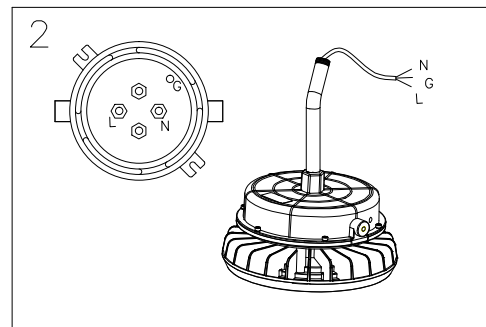


4. Connect the AC cable, Black cable joins to L, white cable joins to N, green cable joins to grounding.

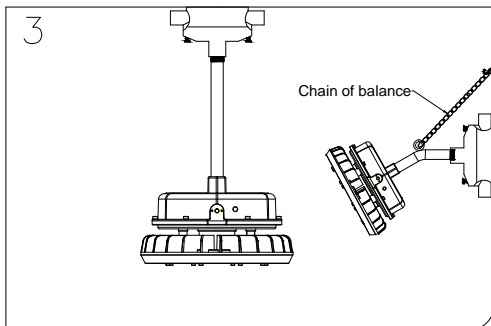
## 3 The specific steps of installation (Pole mounted)



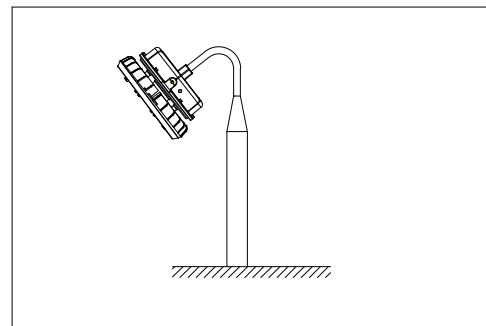
1. Take the fixture and pole accessory out from cartoon box, tighten pole as Fig.1. (Linear pole)



2. Connect the AC cable to installation box, Black cable connect to L, white cable connect to N, green cable connect to grounding.

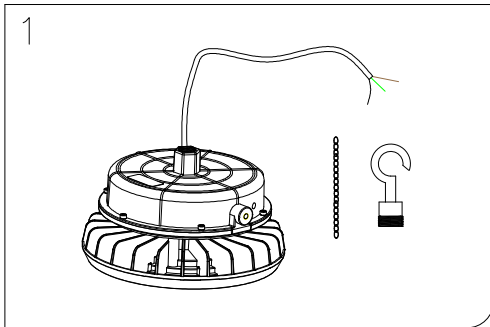


3. Install the installation box to the wall or ceiling as Fig.2. Tighten the pole to the box, and adjust the chain of balance.

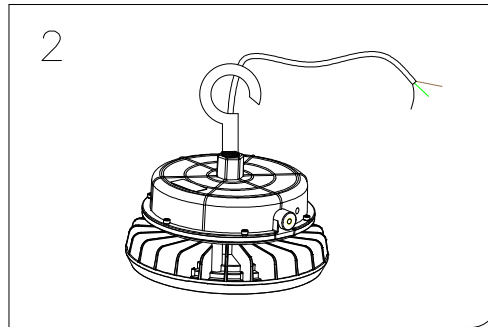


Install the fixture to the long pole after cable connecting.

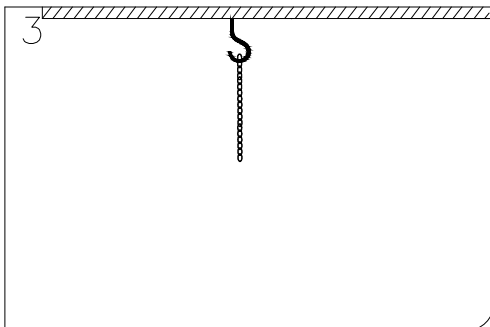
**4 The specific steps of installation (Hook mounted)**



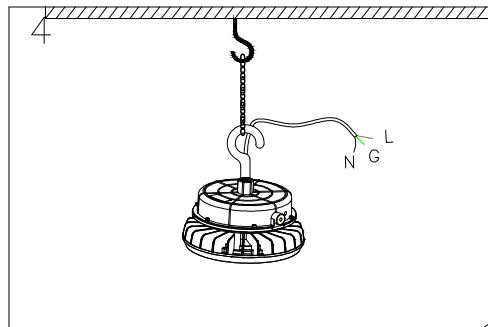
1. Take the fixture and accessory out from cartoon box as Fig.1.



2. Through the cable to the hook and Fig.2.



3. Drill 1 expansion screw hole and install it, and hang the chain as Fig.3.



4. Hang the fixture to the hook as above, connect the AC cable, Black cable connect to L, white cable connect to N, green cable connect to grounding.

**Note: Please kindly to know the spherial glass fixture installation method is the same with plate glass.**

