



-40°C / +50°C



GENERAL LOCATION RATED

FEATURES

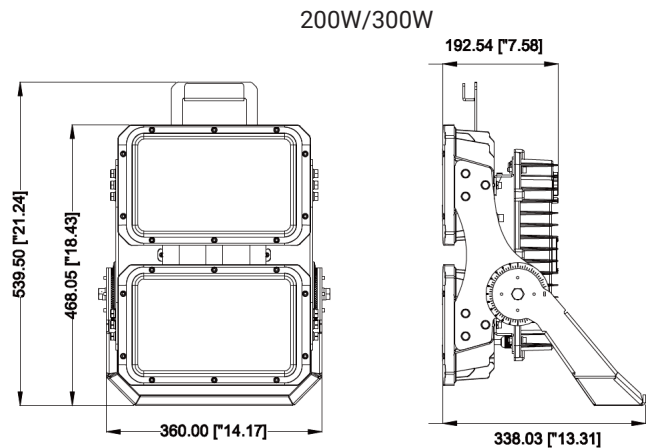
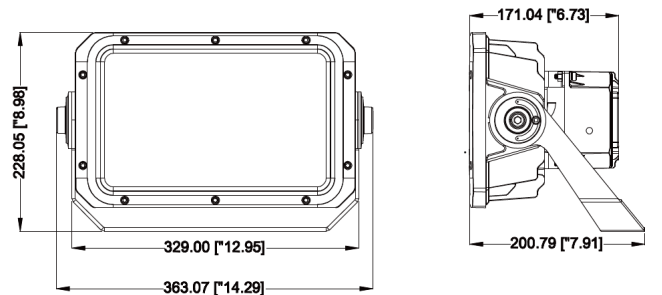
- High Powered LED Light For High Bay and Flood Lighting Applications
- 150 Lumen/Watt Output (Rated Values)
- Surface & Pole Mounted Options
- Designed for Industrial Applications
- 5-Year Standard Warranty
- IP66 Rated

An upgrade to our popular FL550 Series Area Light, the FL550 G2 has upgraded ingress protection, integrated junction boxes and operating temperatures. The the perfect solution for high mounting applications. With high performance LED's along with high-quality construction, this fixture performs efficiently and reliably within any environment it is utilized within.

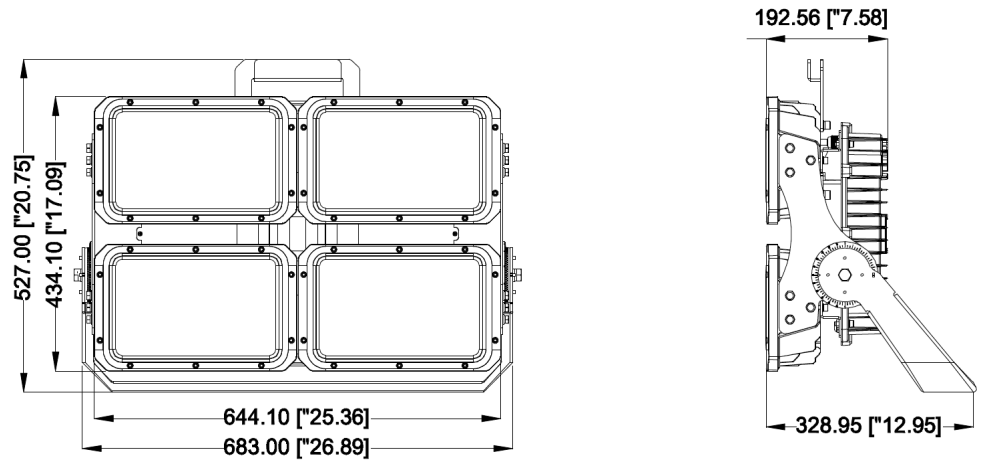
TECHNICAL SPECIFICATIONS

VOLTAGE	120-277V or 347-480V 600VAC (Custom Order)
POWER FACTOR	<95%
LED LUMINOUS EFFICIENCY	150 (LM/W) (RATED)
MAX LUMEN OUTPUT	150,000LM (1000W)
COLOUR TEMPERATURE	3000K-5700K (5000K STANDARD)
COLOUR RATING INDEX	Ra>70
LENS	GLASS LEXAN
PROTECTION	Wet location IP66
FREQUENCY	50-60 Hz
LED CHIP	SAMSUNG 3535
LED DRIVER	MEANWELL
MAXIMUM INTENSITY ANGLE	120°
WORK TEMPERATURE	-40°C to +50°C
WORK HUMIDITY	15% to 95% RH
CHIP LIFE EXPECTANCY	80000 Hrs
FIXTURE	Aluminum Alloy Housing
WEIGHT	5.2-33.6KG
APPROVED	ETL Listed, Tested to CSA & UL Standards DLC Pending

DIMENSIONS



DIMENSIONS



800W/1000W

MOUNTING



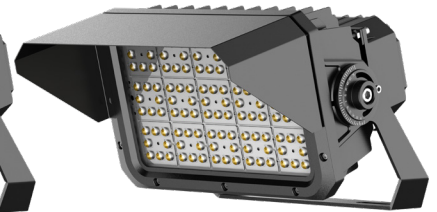
SLIP FITTER - POLE MOUNT (SF)



CHAIN MOUNTED (MC)



STANDARD BRACKET (MS)



VISOR (VS)

ORDERING INFORMATION

PROJECT NAME	PROJECT LOCATION	COMMENTS	PREPARED BY

PART NUMBER EXAMPLE: LS-FL550-G2-240W-MV-NB-MS

MODEL	WATTAGE	VOLTAGE	COLOUR TEMP	OPTICS	MOUNTING	VISOR
-	-	-	-	-	-	-
LS-FL550-G2	200W 300W 500W 800W 1000W	MV 120-277V HV 347-480V MVD 120-277V Dimmable HVD 347-480V Dimmable	30K - 3000K 40K - 4000K 50K - 5000K 57K - 5700K	WB - 117°x34° MB - 90° NB - 30°	MS - STANDARD MC - CHAIN MOUNT SF - SLIPFITTER	BLANK VS - VISOR