

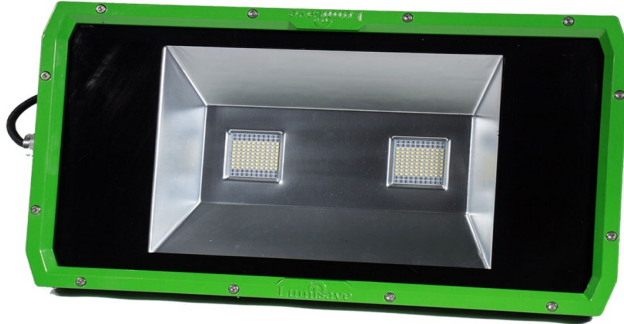
CLASS I, DIV 2/Zone 2 - T3C
CLASS II & CLASS III, DIV 2 - T5



Intertek
4000453



-40°C / +40°C



FEATURES

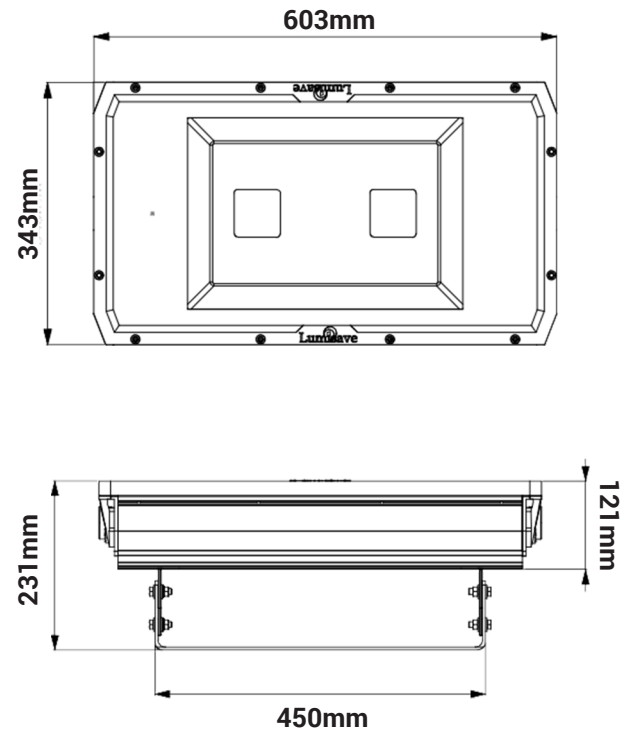
- High Powered LED Flood Light for various applications
- Dual Driver Configuration - Each LED Chip is powered by its own power source
- 150 Lumen/Watt Output (Rated Values)
- Built-in 10KV Surge Protection Device
- Designed for heavy industrial applications
- Reinforced Lens ring for added protection
- 6mm Shatter Resistant Lexan Lens
- 5-Year Standard Warranty

Made to withstand extreme conditions, the FL395 Heavy Industrial LED Flood Light provides 22,500 lumens of high-quality light. This exclusive flood light has been built from the ground up with the harshest of environments kept in mind, designed to handle anything in its way.

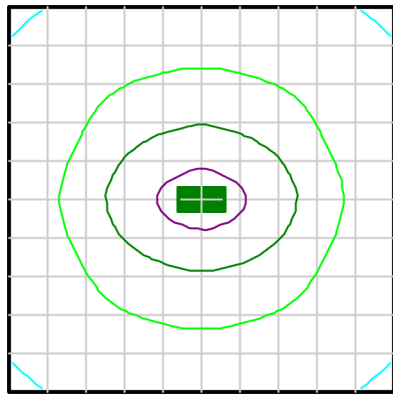
TECHNICAL SPECIFICATIONS

VOLTAGE	120-277V or 347-480V
POWER FACTOR	<95%
LED LUMINOUS EFFICIENCY	150 (LM/W) (RATED)
MAX LUMEN OUTPUT	22,500LM
COLOUR TEMPERATURE	5000K STANDARD
COLOUR RATING INDEX	Ra>70
LENS	6mm LEXAN
PROTECTION	IP66
FREQUENCY	50-60 Hz
LED CHIP	SAMSUNG
LED DRIVER	MEANWELL
MAXIMUM INTENSITY ANGLE	120°
WORK TEMPERATURE	-40°C to +40°C
WORK HUMIDITY	15% to 95% RH
CHIP LIFE EXPECTANCY	80000 Hrs
FIXTURE	Aluminum Alloy Housing
WEIGHT	17KG
APPROVED	ETL Listed, Tested to CSA & UL Standards DLC Qualified Product

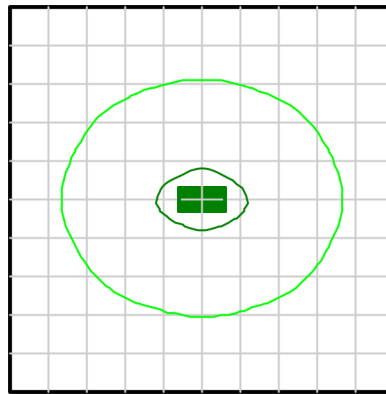
DIMENSIONS



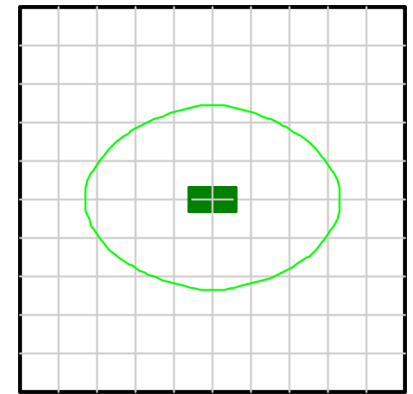
OPTICS



■ 20 fc ■ 10 fc ■ 1 fc
■ 15 fc ■ 5 fc ■ 0.5 fc
 Fixture mounted @ 20ft | Calculation grid 50ft x 50ft



■ 20 fc ■ 10 fc ■ 1 fc
■ 15 fc ■ 5 fc ■ 0.5 fc
 Fixture mounted @ 25ft | Calculation grid 50ft x 50ft



■ 20 fc ■ 10 fc ■ 1 fc
■ 15 fc ■ 5 fc ■ 0.5 fc
 Fixture mounted @ 30ft | Calculation grid 50ft x 50ft

MOUNTING



HEAVY DUTY BRACKET
(BH)



SLIPFITTER + END CAP
BRACKET(BE)

ORDERING INFORMATION

PROJECT NAME	PROJECT LOCATION	COMMENTS	PREPARED BY

PART NUMBER EXAMPLE: LS-FL395-150W-MV-LX-W7-BH-H1

MODEL	WATTAGE	VOLTAGE	LENS	CABLE	MOUNTING	LOCATION
-	-	-	-	-	-	-
LS-FL395	150W	MV 120-277V HV 347-480V	LX - LEXAN LXF - FROSTED	W7 - STANDARD W(X) - CUSTOM	BH - HEAVY DUTY BRACKET BE - SLIPFITTER	H1 - Hazardous