

FL375 SERIES

30W | 60W | 80W

Hazardous Rated LED Flood Light

UL844 hazardous rated bay light designed for
Heavy Industrial environments
High Lumen Output
Optimized Retrofit Accessories Designed for
industrial applications



-40°C | +40°C

Key Applications

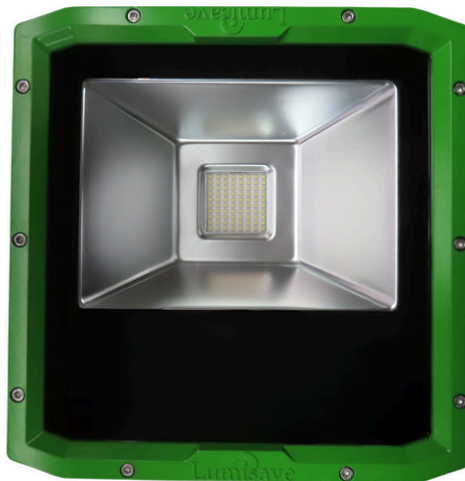
- Heavy Industrial Applications
- Industrial Walkways and Catwalks
- Platform Lighting
- Storage Areas
- Operational Lighting
- Task Lighting
- Oil & Gas
- Mining
- Forestry
- General Location Areas

Compliances

UL/cUL Listed to:

- UL 1598 Suitable for Wet Locations
- UL 844 Hazardous Locations
- Class 1, Division 2 Groups A, B, C, D
- Class II, Division 1 Groups E, F, G
- Class II, Division 2 Groups F, G
- Class III

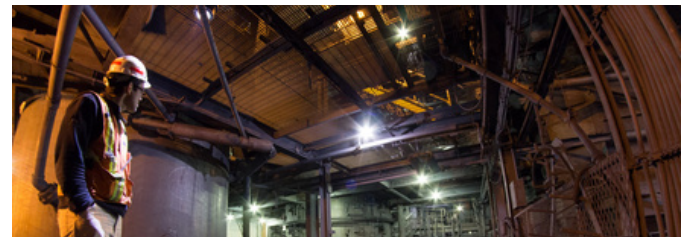
IP66



Specifications

Voltage	120-277V or 347-480V
Power Factor	<95%
Efficacy	150 Lumens/Watt
Lumen Output	LS-FL375-30W: 4,500LM LS-FL375-60W: 9,000LM LS-FL375-80W: 12,000LM
Colour Temp.	5000K Standard Custom CCT Available
CRI	RA>70
Frequency	50-60Hz
LED Chip	Samsung
Power Supply	Meanwell HLG Series
Optics	120°
Operating Temp	-40°C to +40°C
Weight	20.9 Lbs
Chip Life Expectancy	8000 Hrs
Mounting	Heavy Duty Bracket Slip Fitter
Warranty	5 Year Standard

For IES files, see website or contact Lumisave

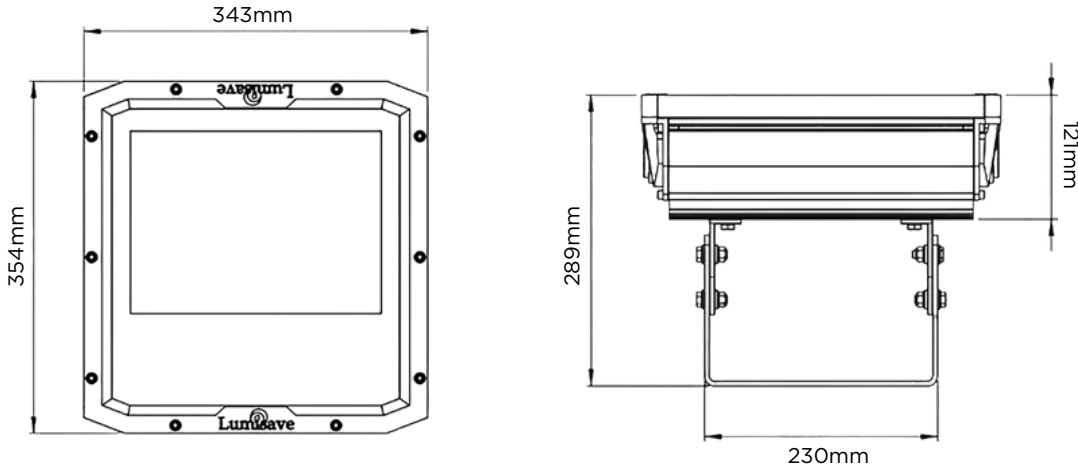


FL375 SERIES

Hazardous Rated LED Flood Light



Dimensions



Ordering Information

Example: LS-FL375-80W-MV-LX-W7-BH-H1

Model	Wattage	Voltage	Lens	Cable	Mounting	Ratings
LS-FL375	80W	MV	LX	W7	BH	H1
		HV	LXF	W(X)	BE	

Wattage	Volatge	Volatge	Volatge	Volatge	Volatge	Volatge	Volatge	Volatge	Volatge	
80W	MV	120-277Vac	LX	Clear Lexan	W7	7' Cabtyre	BH	Heavy Duty Bracket	H1	Hazardous Location
	HV	277-480Vac	LXF	Frosted Lexan	W(X)	Custom	BE	Slip Fitter		

Notes

- 1 Replace (X) in Cable with desired length in feet
- 2 Special project pricing and support available upon inquiry
- 3 Product customization available upon consultation

Mounting Accessories



Heavy Duty Bracket



Slip Fitter