

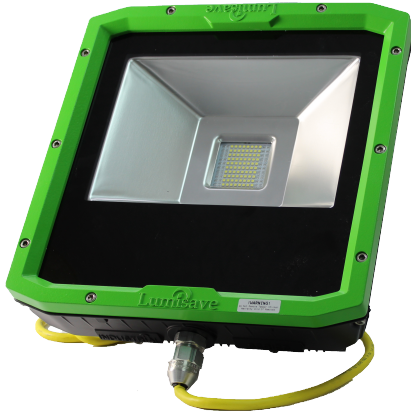
IP65



Intertek
4000453



-40°C / +40°C



CLASS I, DIV 2/Zone 2 - T3C
CLASS II & CLASS III, DIV 2 - T5

FEATURES

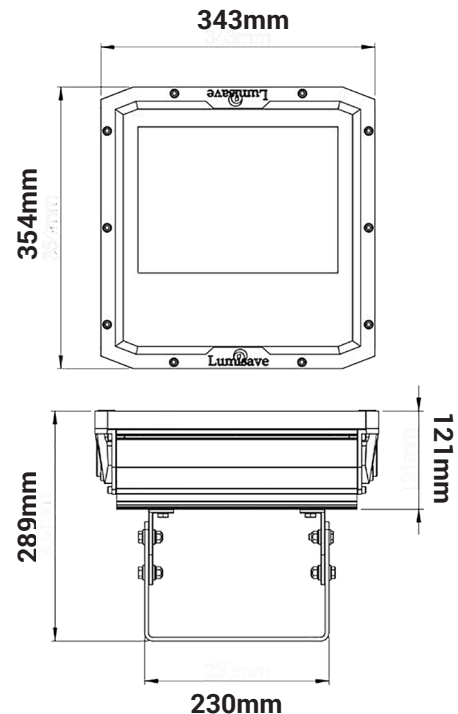
- High Powered LED Flood Light for various applications
- 150 Lumen/Watt Output (Rated Values)
- Built-in 10KV Surge Protection Device
- Designed for heavy industrial applications
- Reinforced Lens ring for added protection
- 6mm Shatter Resistant Lexan Lens
- 5-Year Standard Warranty

The FL375 is an extremely durable single-chip Industrial LED light suitable for the harshest consumer locations. Our industrial series LED lights are exclusive to Lumisave and are designed, assembled, and tested in Canada. The FL375 is one of the roughest and toughest products in our line up.

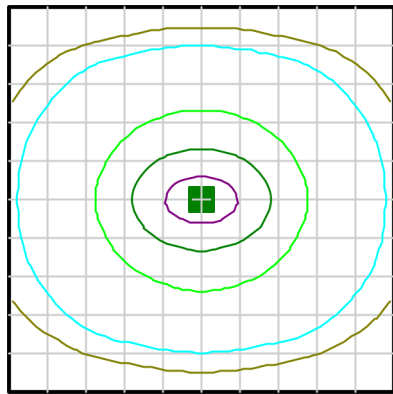
TECHNICAL SPECIFICATIONS

VOLTAGE	120-277V or 347-480V
POWER FACTOR	<95%
LED LUMINOUS EFFICIENCY	150 (LM/W) (RATED)
MAX LUMEN OUTPUT	12,000LM
COLOUR TEMPERATURE	5000K STANDARD
COLOUR RATING INDEX	Ra>70
LENS	6mm LEXAN
PROTECTION	Wet location IP65
FREQUENCY	50-60 Hz
LED CHIP	SAMSUNG
LED DRIVER	MEANWELL
MAXIMUM INTENSITY ANGLE	120°
WORK TEMPERATURE	-40°C to +40°C
WORK HUMIDITY	15% to 95% RH
CHIP LIFE EXPECTANCY	80000 Hrs
FIXTURE	Aluminum Alloy Housing
WEIGHT	9.5KG
APPROVED	ETL Listed, Tested to CSA & UL Standards DLC Qualified Product

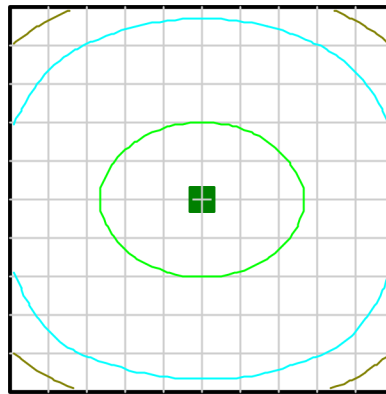
DIMENSIONS



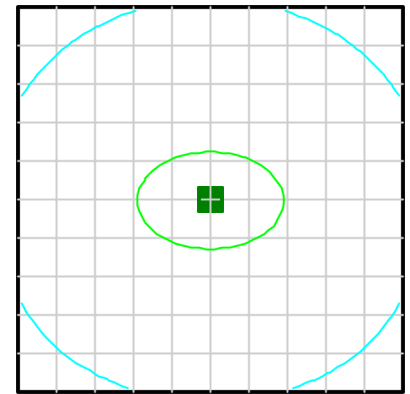
OPTICS



20 fc 10 fc 1 fc
15 fc 5 fc 0.5 fc
Fixture mounted @ 20ft | Calculation grid 50ft x 50ft



20 fc 10 fc 1 fc
15 fc 5 fc 0.5 fc
Fixture mounted @ 25ft | Calculation grid 50ft x 50ft



20 fc 10 fc 1 fc
15 fc 5 fc 0.5 fc
Fixture mounted @ 30ft | Calculation grid 50ft x 50ft

MOUNTING



HEAVY DUTY BRACKET (BH)



SLIPFITTER + END CAP BRACKET (BE)



ORDERING INFORMATION

PROJECT NAME	PROJECT LOCATION	COMMENTS	PREPARED BY

PART NUMBER EXAMPLE: LS-FL375-80W-MV-LX-W7-BH-H1

MODEL	WATTAGE	VOLTAGE	LENS	CABLE	MOUNTING	LOCATION
-	-	-	-	-	-	-
LS-FL375	80W	MV 120-277V HV 347-480V	LX - LEXAN LXF - FROSTED	W7 - STANDARD W(X) - CUSTOM	BH - HEAVY DUTY BRACKET BE - SLIPFITTER	H1 - Hazardous