

CLASS I, DIV 2/Zone 2 - T3C
CLASS II & CLASS III, DIV 2 - T5

FEATURES

- Medium Powered LED Flood Light For Various Applications
- 150 Lumen/Watt Output (Rated Values)
- Surface & Pole Mounted Options
- Designed for Industrial Applications
- 5-Year Standard Warranty



IP65



Intertek
4000453



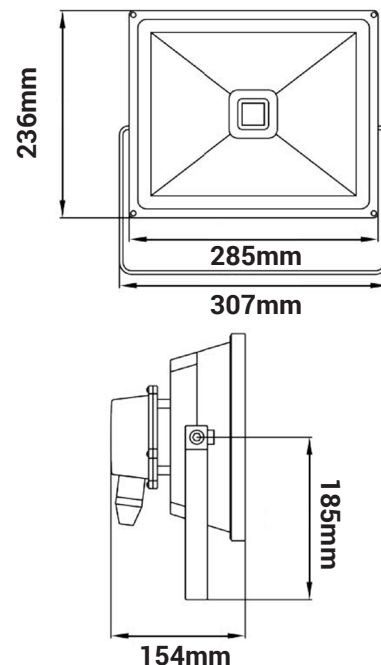
-40°C / +40°C

Our rugged aluminum powder coated fixture housing is built for commercial and industrial sites. We take great care in the construction of each of our fixtures and we are proud to offer one of the best warranties in the industry. We are also happy to offer many accessories for this tough fixture.

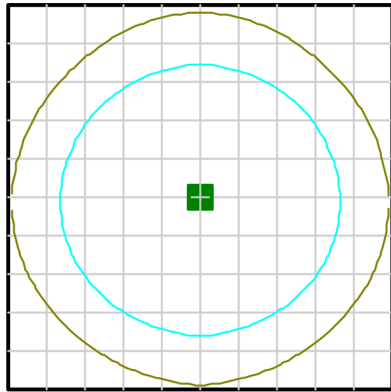
TECHNICAL SPECIFICATIONS

VOLTAGE	120-277V or 347-480V
POWER FACTOR	<95%
LED LUMINOUS EFFICIENCY	150 (LM/W) (RATED)
MAX LUMEN OUTPUT	4,133LM
COLOUR TEMPERATURE	5000K STANDARD
COLOUR RATING INDEX	Ra>70
LENS	GLASS LEXAN
PROTECTION	Wet location IP65
FREQUENCY	50-60 Hz
LED CHIP	SAMSUNG
LED DRIVER	MEANWELL
MAXIMUM INTENSITY ANGLE	120°
WORK TEMPERATURE	-40°C to +40°C
WORK HUMIDITY	15% to 95% RH
CHIP LIFE EXPECTANCY	80000 Hrs
FIXTURE	Aluminum Alloy Housing
WEIGHT	5.5KG
APPROVED	ETL Listed, Tested to CSA & UL Standards DLC Qualified Product

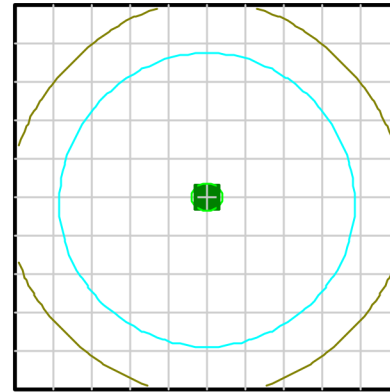
DIMENSIONS



OPTICS



■ 20 fc ■ 10 fc ■ 1 fc
■ 15 fc ■ 5 fc ■ 0.5 fc
 Fixture mounted @ 20ft | Calculation grid 50ft x 50ft



■ 20 fc ■ 10 fc ■ 1 fc
■ 15 fc ■ 5 fc ■ 0.5 fc
 Fixture mounted @ 20ft | Calculation grid 50ft x 50ft

MOUNTING



HEAVY DUTY BRACKET
(BH)



MAGNETIC MOUNT
(MM)



SLIPFITTER
(BE)

ORDERING INFORMATION

PROJECT NAME	PROJECT LOCATION	COMMENTS	PREPARED BY

PART NUMBER EXAMPLE: LS-FL390-150W-MV-LX-W7-BS-H0

MODEL	WATTAGE	VOLTAGE	LENS	CABLE	MOUNTING	LOCATION
-	-	-	-	-	-	-
LS-FL290	40W 50W	MV 120-277V HV 347-480V	LX - LEXAN LENS LXF - FROSTED LEXAN LT - TEMPERED GLASS LTF - FROSTED GLASS	W7 - STANDARD W(X) - CUSTOM	BS - STANDARD BH - HEAVY DUTY BE - SLIPFITTER MM - MAGNETIC MOUNT	H0 - General Area H1 - Hazardous