

CLASS I, DIV 2/Zone 2 - T3C
CLASS II & CLASS III, DIV 2 - T5

FEATURES

- Low Powered LED Flood Light For Various Applications
- 100 Lumen/Watt Output (Rated Values)
- Surface & Pole Mounted Options
- Designed for Industrial Applications
- 5-Year Standard Warranty



Intertek
4000453



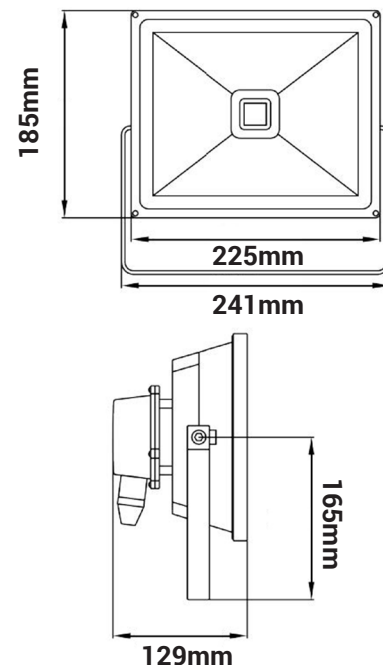
-40°C / +40°C

The high-efficiency LED chip of the FL225 Series offers superior brightness, proven to eliminate safety concerns while providing exceptional light quality for highly productive environments. Customizable options such as lenses, mounting brackets and various voltages make our product fit each customer's needs.

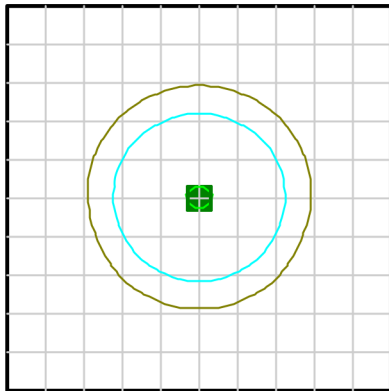
TECHNICAL SPECIFICATIONS

VOLTAGE	120-277V or 347-480V
POWER FACTOR	<95%
LED LUMINOUS EFFICIENCY	100 (LM/W) (RATED)
MAX LUMEN OUTPUT	2,943LM
COLOUR TEMPERATURE	5000K STANDARD
COLOUR RATING INDEX	Ra>70
LENS	GLASS LEXAN
PROTECTION	Wet location IP65
FREQUENCY	50-60 Hz
LED CHIP	BRIDGELUX COB
LED DRIVER	MEANWELL
MAXIMUM INTENSITY ANGLE	120°
WORK TEMPERATURE	-40°C to +40°C
WORK HUMIDITY	15% to 95% RH
CHIP LIFE EXPECTANCY	80000 Hrs
FIXTURE	Aluminum Alloy Housing
WEIGHT	4.5KG
APPROVED	ETL Listed, Tested to CSA & UL Standards DLC Qualified Product

DIMENSIONS



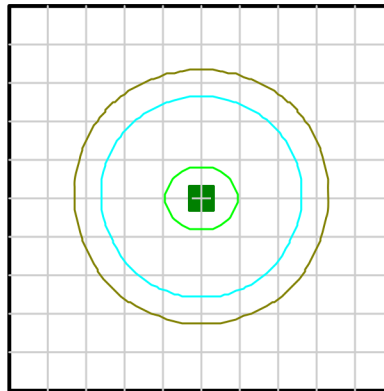
OPTICS



■ 20 fc ■ 10 fc ■ 1 fc
■ 15 fc ■ 5 fc ■ 0.5 fc

Fixture mounted @ 10ft | Calculation grid 50ft x 50ft

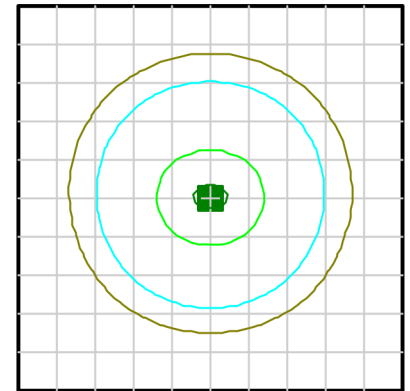
LS-FL225-10W-MV-LT-W7-BS-HO



■ 20 fc ■ 10 fc ■ 1 fc
■ 15 fc ■ 5 fc ■ 0.5 fc

Fixture mounted @ 10ft | Calculation grid 50ft x 50ft

LS-FL225-20W-MV-LT-W7-BS-HO



■ 20 fc ■ 10 fc ■ 1 fc
■ 15 fc ■ 5 fc ■ 0.5 fc

Fixture mounted @ 10ft | Calculation grid 50ft x 50ft

LS-FL225-30W-MV-LT-W7-BS-HO

MOUNTING



HEAVY DUTY BRACKET
(BH)



MAGNETIC MOUNT
(MM)



SLIPFITTER
(BE)

ORDERING INFORMATION

PROJECT NAME	PROJECT LOCATION	COMMENTS	PREPARED BY

PART NUMBER EXAMPLE: LS-FL225-10W-MV-LX-W7-BS-HO

MODEL	WATTAGE	VOLTAGE	LENS	CABLE	MOUNTING	LOCATION
-	-	-	-	-	-	-
LS-FL225	10W 20W 30W	MV 120-277V	LX - LEXAN LENS LXF - FROSTED LEXAN LT - TEMPERED GLASS LTF - FROSTED GLASS	W7 - STANDARD W(X) - CUSTOM	BS - STANDARD BH - HEAVY DUTY BE - SLIPFITTER MM - MAGNETIC MOUNT	H0 - General Area H1 - Hazardous