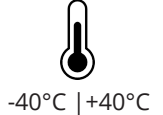


BL420 SERIES

30W | 60W | 80W

Hazardous & General Rated LED Bay Light

UL844 hazardous rated bay light designed for
Heavy Industrial environments
High Lumen Output
Optimized Retrofit Accessories Designed for
industrial applications



Key Applications

- Heavy Industrial Applications
- Industrial Walkways and Catwalks
- Platform Lighting
- Storage Areas
- Operational Lighting
- Task Lighting
- Oil & Gas
- Mining
- Forestry
- General Location Areas

Compliances

UL/cUL Listed to:

- UL 1598 Suitable for Wet Locations
- UL 844 Hazardous Locations
- Class 1, Division 2 Groups A, B, C, D
- Class II, Division 1 Groups E, F, G
- Class II, Division 2 Groups F, G
- Class III

IP66



Specifications

Voltage	120-277V or 347-480V
Power Factor	<95%
Efficacy	150 Lumens/Watt
Lumen Output	LS-BL420-30W: 4,500 LM LS-BL420-60W: 9,000 LM LS-BL420-80W: 12,000 LM
Colour Temp.	5000K Standard Custom CCT Available
CRI	RA>70
Frequency	50-60Hz
LED Diodes	Samsung
Power Supply	Meanwell HLG Series
Optics	120°
Operating Temp	-40°C to +40°C
Weight	LS-BL420-30W: 10 LBS LS-BL420-60W: 15 LBS LS-BL420-80W: 15 LBS
Connections	1/2" NPT
Mounting	Hook Mount (Standard) Pendant Mount Universal Mount System (Wall and Stanchion) Universal Adapter Plate (Crouse Hinds VMV)
Warranty	5 Year Standard

For IES files, see website or contact Lumisave

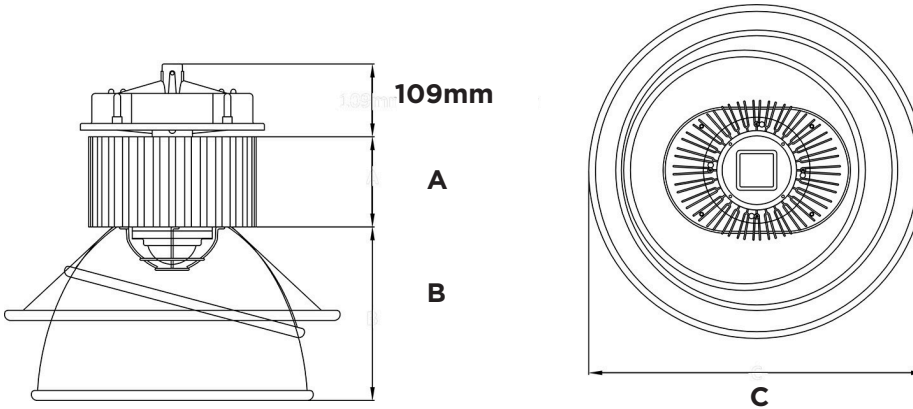


BL420 SERIES

Hazardous Rated LED Bay Light



Dimensions



A		B		C	
30W	60mm	RS	140mm	RS	360mm
60W	135mm	RC	165mm	RC	360mm
80W	135mm	RN	55mm	RN	280mm

Ordering Information

Example: LS-BL420-30W-MC-DC-W1-UMS-H1

Model	Wattage	Voltage	Lens	Cable	Mounting	Ratings
LS-BL420	30W	MV	DC	W1 (UMS UAP)	MH	H0
	60W	HV	DF	W7	MP	H1
	80W		DG	W(X)	UAP	
			WG		UMS	

Wattage	Volatge	Lens	Cable	Mounting	Ratings
30W	MV 120-277Vac	DC Clear Lexan	W1 1' Cabtyre	MH Hook Mount	H0 General Area
60W	HV 277-480Vac	DF Frosted Lexan	W7 7' Cabtyre	MP Pendant Mount	H1 Hazardous Location
80W		DG Glass Lens	W(X) Custom	UAP Universal Adapter Plate	
		WG Wire Guard		UMS Universal Mounting System	

Notes

- 1 Replace (X) in Cable with desired length in feet
- 2 Special project pricing and support available upon inquiry
- 3 Product customization available upon consultation

Mounting Accessories

Universal Mounting System (LS-UMS) - Wall & Stanchion Mounting Applications

- 1/2" NPT threaded connections | 1-1/2" NPT threaded Stanchion Connection

Universal Adapter Plate (LS-UAP) - Retrofit Adapter Plate for Crouse Hinds VMV Series Products

- Available for Appleton, Dialux and Holophane Products upon inquiry