



2018 PRODUCT CATALOGUE



**TRUSTED,
TESTED &
PROVEN
INDUSTRIAL STRENGTH**

Lumisave
Industrial LED Technologies Ltd.

ABOUT LUMISAVE

Lumisave is a leading provider of high-performance LED lighting solutions for commercial and industrial applications. Our rugged LED fixtures are specifically designed and engineered to withstand the harshest industrial environments and hazardous locations. With a broad array of research, development, test and production capabilities and facilities, our experienced team is dedicated to providing industry leading services and products.

Established in 2009 Lumisave has grown to become a trusted name within a variety of industries. Having completed various major projects within the mining, forestry and oil & gas fields, Lumisave continues to be a leader in lighting.

Lumisave is proud to be known as a company that is focused on technical solutions. By working closely with each customer Lumisave is able to understand the needs and develop lighting solutions that save energy, reduce costs, improve safety and upgrade light quality





LUMISAVE ADVANTAGE

- 1) Production & quality control completed at Lumisave's local manufacturing facilities.
- 2) All fixture components are tested to certified standards at the manufacturing facility
- 3) 80,000 Hours+ LED lifespan
- 4) Samsung LED produces 150 lumens per watt
- 5) Available in AC voltages from 110V to 480V
- 6) Hazardous Location Certified for Class I Div 2/Zone 2, Class II, Div 2 and Class III, Div 2
- 7) Rugged, weather-proof design
- 8) 5 Year replacement warranty
- 9) Up to 70% energy savings
- 10) Ability to customize each order to meet customer needs



WHY LUMISAVE?

We are committed to quality and reliability of our product. Using innovative technologies and working closely with certified testing agents, we are able to continue to provide better energy saving and higher quality products to the customer. Lumisave has also been able to provide custom products for our customers with unique applications because we have ability to design and fabricate new products in our manufacturing facility.





BL550 COMMERCIAL BAY LIGHT

This new LED bay light fixture has been built from the ground up by Lumisave with our customers in mind. Combining customer feedback and suggestions, along with the Lumisave product quality, the goal was to create a fixture which offers a perfect solution for various highbay and lowbay lighting needs.

GENERAL LOCATION RATED FIXTURE



TECHNICAL SPECIFICATIONS

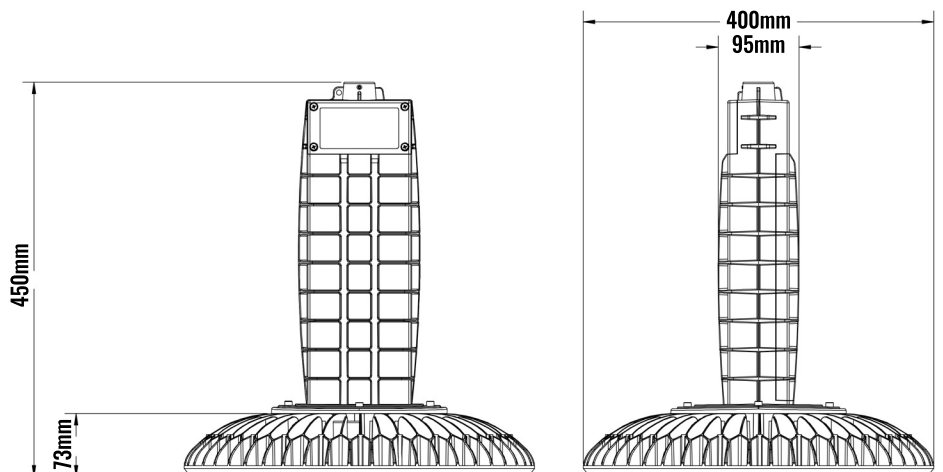
VOLTAGE	120-277V or 347-480V
POWER FACTOR	≤ 95%
LED LUMINOUS EFFICIENCY	150 (LM/W)
MAX LUMEN OUTPUT	27,008LM
COLOUR TEMPERATURE	5700K
COLOUR RENDERING INDEX	Ra>70
LENS	Lexan
PROTECTION	Wet Location IP65
FREQUENCY	50/60Hz

LED CHIP	PHILIPS 3030
LED DRIVER	MEANWELL
MAXIMUM INTENSITY ANGLE	≥ 120 Degree
WORK TEMPERATURE	-40°C to +40°C
WORK HUMIDITY	10% to 95% RH
CHIP LIFE EXPECTANCY	80,000 Hours
FIXTURE	Black Aluminum Alloy Housing
WEIGHT	7.4kg
APPROVED	ETL Listed Tested To CSA and UL Standards DesignLights Consortium (DLC) Qualified Product

APPLICATIONS

- Warehousing Buildings
- Sports Arenas
- Recreational Facilities
- Commercial Stores
- High Mounted Applications
- General Lighting
- Processing Facilities
- Manufacturing
- Storage

DIMENSIONS



GENERAL LOCATION RATED FIXTURE

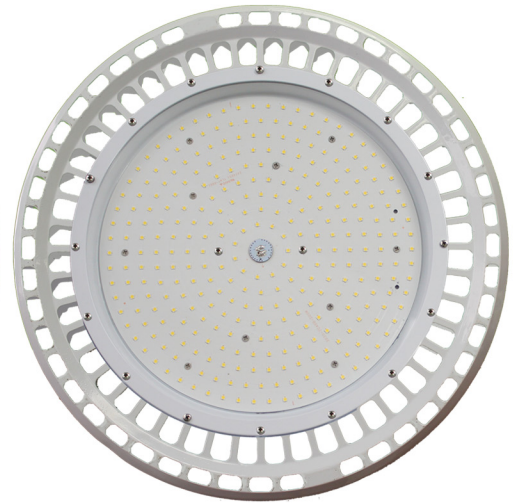
OPTICS



30° LEXAN LENS

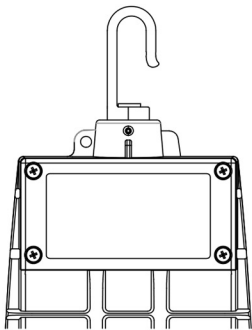


90° LEXAN LENS

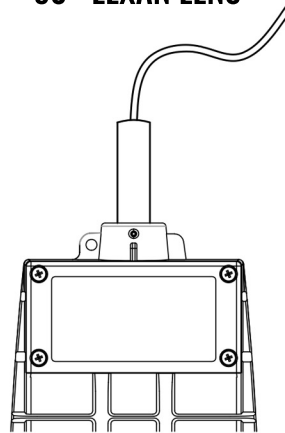


120° GLASS LENS

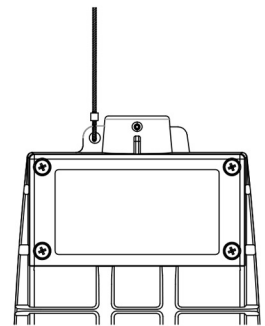
MOUNTING



HOOK MOUNT
(MH)



PENDANT MOUNT
(MP)



SAFETY CHAIN
(NOT INCLUDED)

ORDERING INFORMATION

PART NUMBER EXAMPLE: LS-BL550-27L-MV-LW-MH-HO

LS-BL550- - - - -

LUMENS

VOLTAGE

OPTICS

MOUNTING

HAZLOC

27L 27,000LM	MV 120-277V	LW WIDE LENS(120°)	MH MALE THREAD HOOK	HO NON HAZARDOUS
	HV 347-480V	LM MED. LENS(90°)	MP 1/2" PENDANT MOUNT	
		LN NARROW LENS(60°)		



HEAVY INDUSTRIAL SERIES

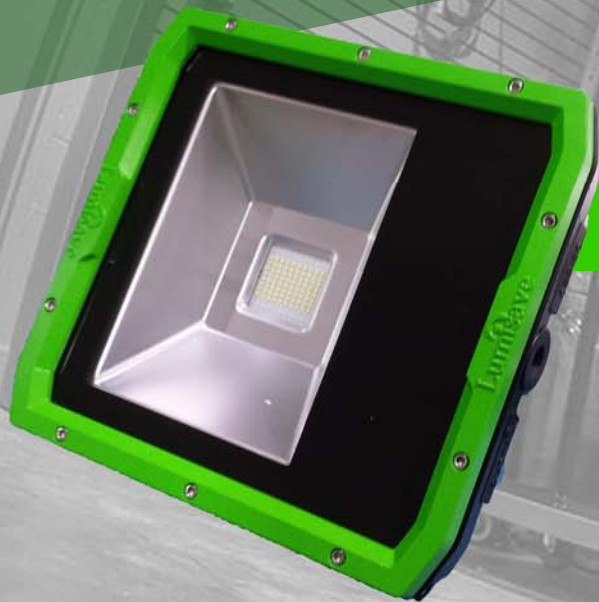
FL375 & FL395

INDUSTRIAL PROTECTION, INDUSTRIAL STRENGTH

The Industrial LED fixture series built from the ground up by Lumisave, are designed to stand up to extreme conditions seen in the coal industry and other heavy industrial applications. The goal was to create a series of fixtures which offer more protection and are able to withstand the toughest conditions.

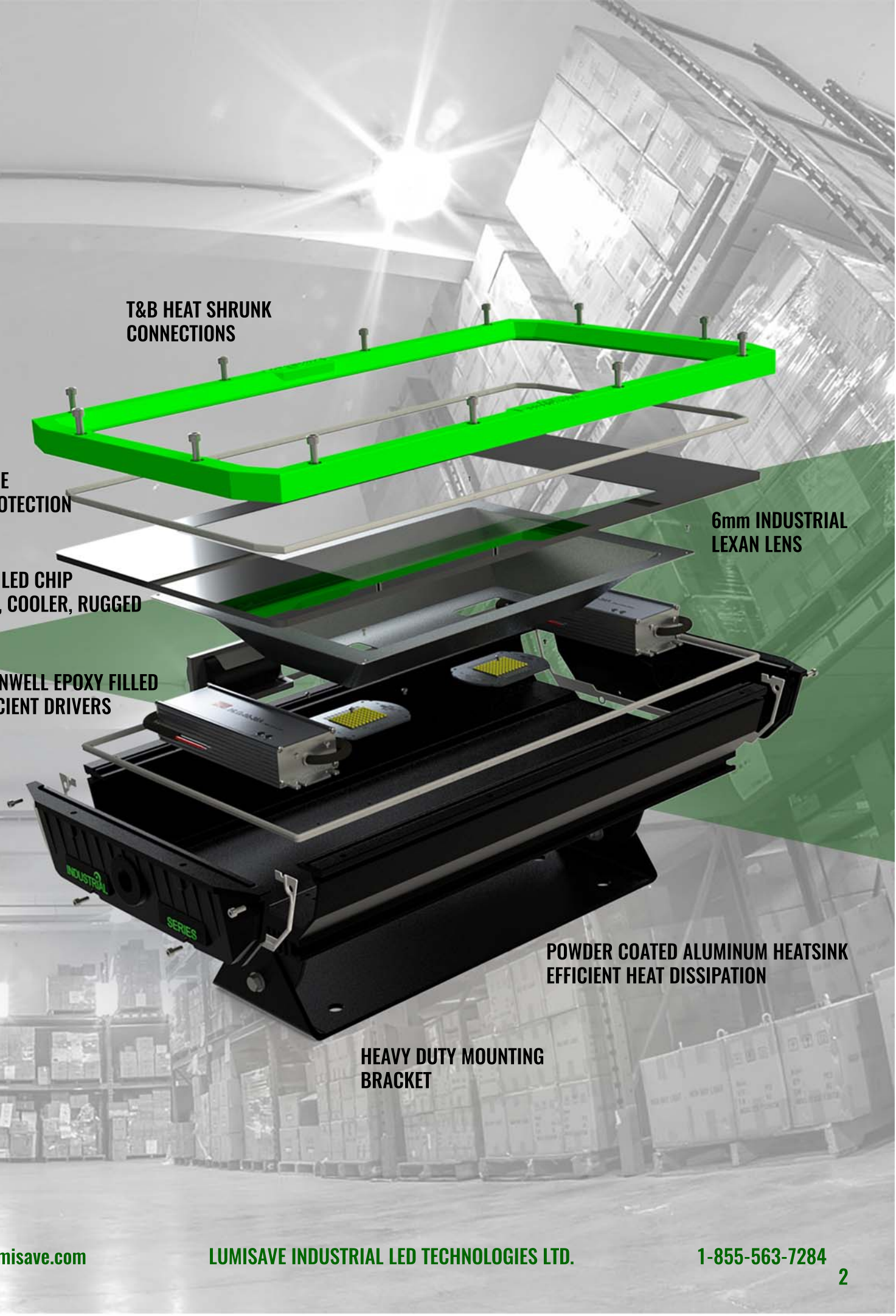
HEAVY INDUSTRIAL SERIES

- Heavy Duty Industrial Applications
- Indoor & Outdoor Flood Applications
- Wet & Dry Locations
- High Vibrations
- Oil & Gas Industry
- Mining Industry
- Heavy Equipment
- Extreme Temperatures
- Humidity



ADVANTAGES

- Designed, Built, and tested in Canada
- Epoxy Filled Driver
- Long Life - 80,000+ Hour Lifespan
- Rated 150 Lumens/Watt Output
- Hazardous Location Certified
- Rugged, Weather-Proof Design
- 5-year Warranty
- Fully Customizable



T&B HEAT SHRUNK CONNECTIONS

LITTLE FUSE SURGE PROTECTION

SAMSUNG LED CHIP BRIGHTER, COOLER, RUGGED

DUAL MEANWELL EPOXY FILLED HIGH EFFICIENT DRIVERS

6mm INDUSTRIAL LEXAN LENS

POWDER COATED ALUMINUM HEATSINK EFFICIENT HEAT DISSIPATION

HEAVY DUTY MOUNTING BRACKET



**Class I, Div 2-T3C, Class I, Zone 2-T3C
Class II & III, Div 2-T5**

FL395 HEAVY INDUSTRIAL FLOOD LIGHT

Made to withstand extreme conditions, the FL395 Heavy Industrial LED Flood Light provides 22,500 lumens of light. This exclusive floodlight has been built from the ground up with the harshest of environments kept in mind. This flood light is able to handle anything you throw it's way.



TECHNICAL SPECIFICATIONS

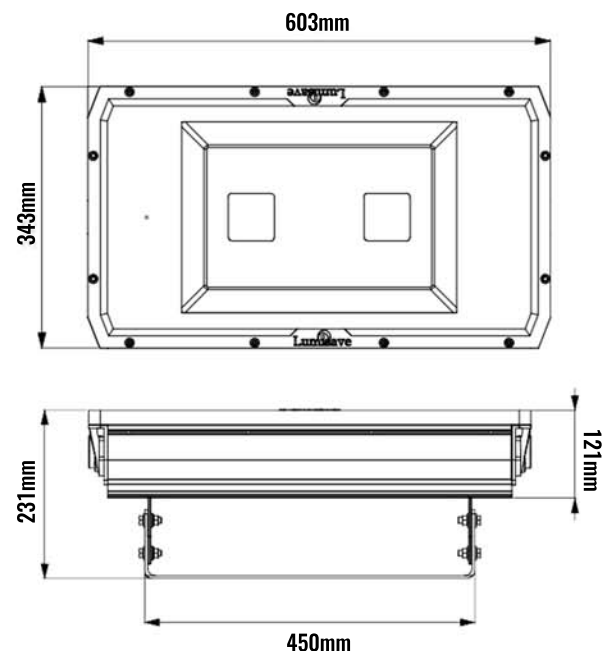
VOLTAGE	120-277V or 347-480V
POWER FACTOR	≤ 95%
LED LUMINOUS EFFICIENCY	150 (LM/W)
MAX LUMEN OUTPUT	16,972 LM
COLOUR TEMPERATURE	5000K
COLOUR RENDERING INDEX	Ra>70
LENS	6mm Lexan
PROTECTION	Wet Location IP65
FREQUENCY	50/60Hz

LED CHIP	SAMSUNG LH351B LED
LED DRIVER	MEANWELL
MAXIMUM INTENSITY ANGLE	≥ 120 Degree
WORK TEMPERATURE	-40°C to +40°C
WORK HUMIDITY	10% to 95% RH
CHIP LIFE EXPECTANCY	80,000 Hours
FIXTURE	Black Aluminum Alloy Housing
WEIGHT	17kg
APPROVED	ETL Listed Tested To CSA and UL Standards DesignLights Consortium (DLC) Qualified Product

APPLICATIONS

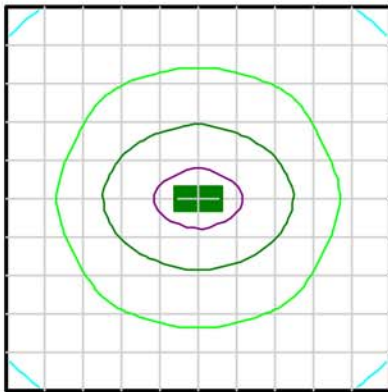
- Oil and gas processing facilities
- Mobile drilling rigs and service equipment
- Offshore oil platforms
- Petroleum refineries
- Chemical plants
- Saw mills and other wood-processing facilities
- Grain processing and storage terminals
- Food processing plants
- Manufacturing facilities
- Mining Operations
- Yard Lighting
- Pole Mounted Applications

DIMENSIONS

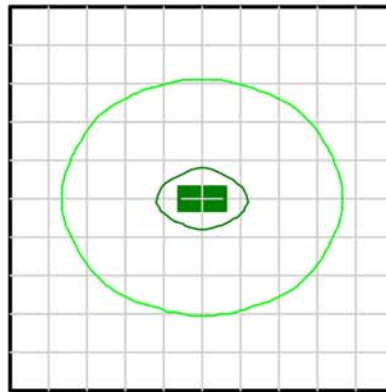


**Class I, Div 2-T3C, Class I, Zone 2-T3C
Class II & III, Div 2-T5**

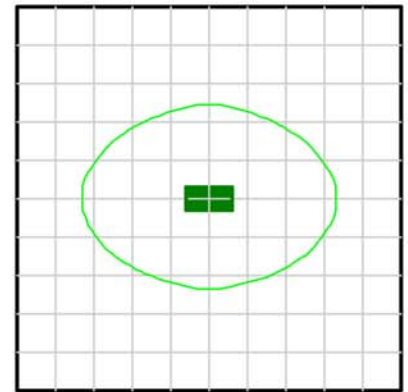
PHOTOMETRY



■ 20 fc ■ 10 fc ■ 1 fc
■ 15 fc ■ 5 fc ■ 0.5 fc
 Fixture mounted @ 20ft | Calculation grid 50ft x 50ft



■ 20 fc ■ 10 fc ■ 1 fc
■ 15 fc ■ 5 fc ■ 0.5 fc
 Fixture mounted @ 25ft | Calculation grid 50ft x 50ft



■ 20 fc ■ 10 fc ■ 1 fc
■ 15 fc ■ 5 fc ■ 0.5 fc
 Fixture mounted @ 30ft | Calculation grid 50ft x 50ft

MOUNTING



HEAVY DUTY BRACKET



SLIPFITTER



END CAP BRACKET

ORDERING INFORMATION

PART NUMBER EXAMPLE: LS-FL395-150W-MV-LX-W7-BH-H1

LS-FL395-

WATTAGE

150W

VOLTAGE

MV 120-277V
HV 347-480V

LENS

LX LEXAN DIFFUSER
LF FROSTED DIFFUSER

CABLE WHIP

W7 7' WHIP
W(X) CUSTOM WHIP

MOUNTING

BH HEAVY DUTY BRACKET
BE END CAP BRACKET
BC CUSTOM BRACKET

HAZLOC

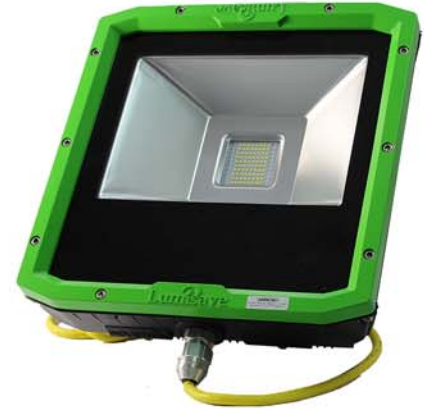
H1 HAZARDOUS



**Class I, Div 2-T3C, Class I, Zone 2-T3C
Class II & III, Div 2-T5**

FL375 HEAVY INDUSTRIAL FLOOD LIGHT

The FL375 is an extremely durable single-chip industrial LED light suitable for the harshest consumer locations. Our industrial series LED lights are exclusive to Lumisave and are designed, assembled, and tested in Canada. The FL375 is one of the toughest products in our line up.



TECHNICAL SPECIFICATIONS

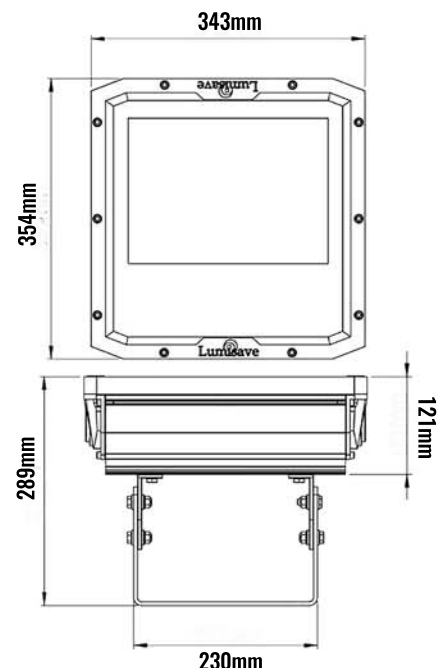
VOLTAGE	120-277V or 347-480V
POWER FACTOR	≤ 95%
LED LUMINOUS EFFICIENCY	150 (LM/W)
MAX LUMEN OUTPUT	8183 LM
COLOUR TEMPERATURE	5000K
COLOUR RENDERING INDEX	Ra>70
LENS	6mm Lexan
PROTECTION	Wet Location IP65
FREQUENCY	50/60Hz

LED CHIP	SAMSUNG LH351B LED
LED DRIVER	MEANWELL
MAXIMUM INTENSITY ANGLE	≥ 120 Degree
WORK TEMPERATURE	-40°C to +40°C
WORK HUMIDITY	10% to 95% RH
CHIP LIFE EXPECTANCY	80,000 Hours
FIXTURE	Black Aluminum Alloy Housing
WEIGHT	9.5kg
APPROVED	ETL Listed Tested To CSA and UL Standards DesignLights Consortium (DLC) Qualified Product

APPLICATIONS

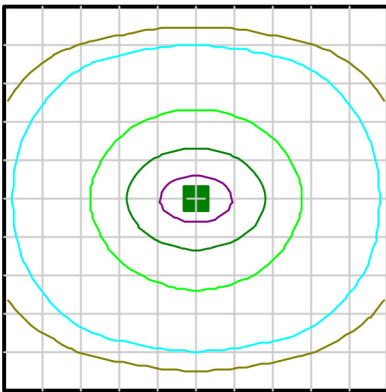
- Oil and gas processing facilities
- Mobile drilling rigs and service equipment
- Offshore oil platforms
- Petroleum refineries
- Chemical plants
- Saw mills and other wood-processing facilities
- Grain processing and storage terminals
- Food processing plants
- Manufacturing facilities
- Mining Operations
- Yard Lighting
- Pole Mounted Applications

DIMENSIONS

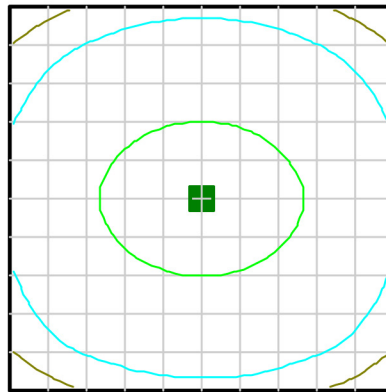


**Class I, Div 2-T3C, Class I, Zone 2-T3C
Class II & III, Div 2-T5**

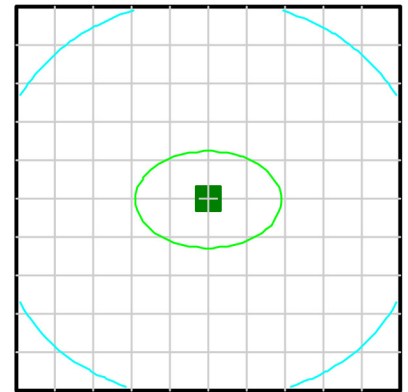
PHOTOMETRY



■ 20 fc ■ 10 fc ■ 1 fc
■ 15 fc ■ 5 fc ■ 0.5 fc
 Fixture mounted @ 15ft | Calculation grid 50ft x 50ft



■ 20 fc ■ 10 fc ■ 1 fc
■ 15 fc ■ 5 fc ■ 0.5 fc
 Fixture mounted @ 20ft | Calculation grid 50ft x 50ft



■ 20 fc ■ 10 fc ■ 1 fc
■ 15 fc ■ 5 fc ■ 0.5 fc
 Fixture mounted @ 25ft | Calculation grid 50ft x 50ft

MOUNTING



HEAVY DUTY BRACKET



SLIPFITTER



END CAP BRACKET

ORDERING INFORMATION

PART NUMBER EXAMPLE: LS-FL375-80W-MV-LX-W7-BH-H1

LS-FL375-

WATTAGE

80W

VOLTAGE

MV 120-277V
HV 347-480V

LENS

LX LEXAN DIFFUSER
LF FROSTED DIFFUSER

CABLE WHIP

W7 7' WHIP
W(X) CUSTOM WHIP

MOUNTING

BH HEAVY DUTY BRACKET
BE END CAP BRACKET
BC CUSTOM BRACKET

HAZLOC

H1 HAZARDOUS



INDUSTRIAL SERIES

FLOOD LIGHTS

INDUSTRIAL PROTECTION, INDUSTRIAL STRENGTH

Popular for their vast range of applications the Lumisave Industrial Flood Light Series are the perfect fit for your lighting applications. Save up to 70% in energy consumption making our flood lights the perfect choice for indoor and outdoor general and hazardous location applications.

FLOOD LIGHT SERIES

- Industrial Applications
- Indoor & Outdoor Flood Applications
- Wet & Dry Locations
- High Vibrations
- Oil & Gas Industry
- Mining Industry
- Heavy Equipment
- Low & High Mounting Applications
- Pole Mounting

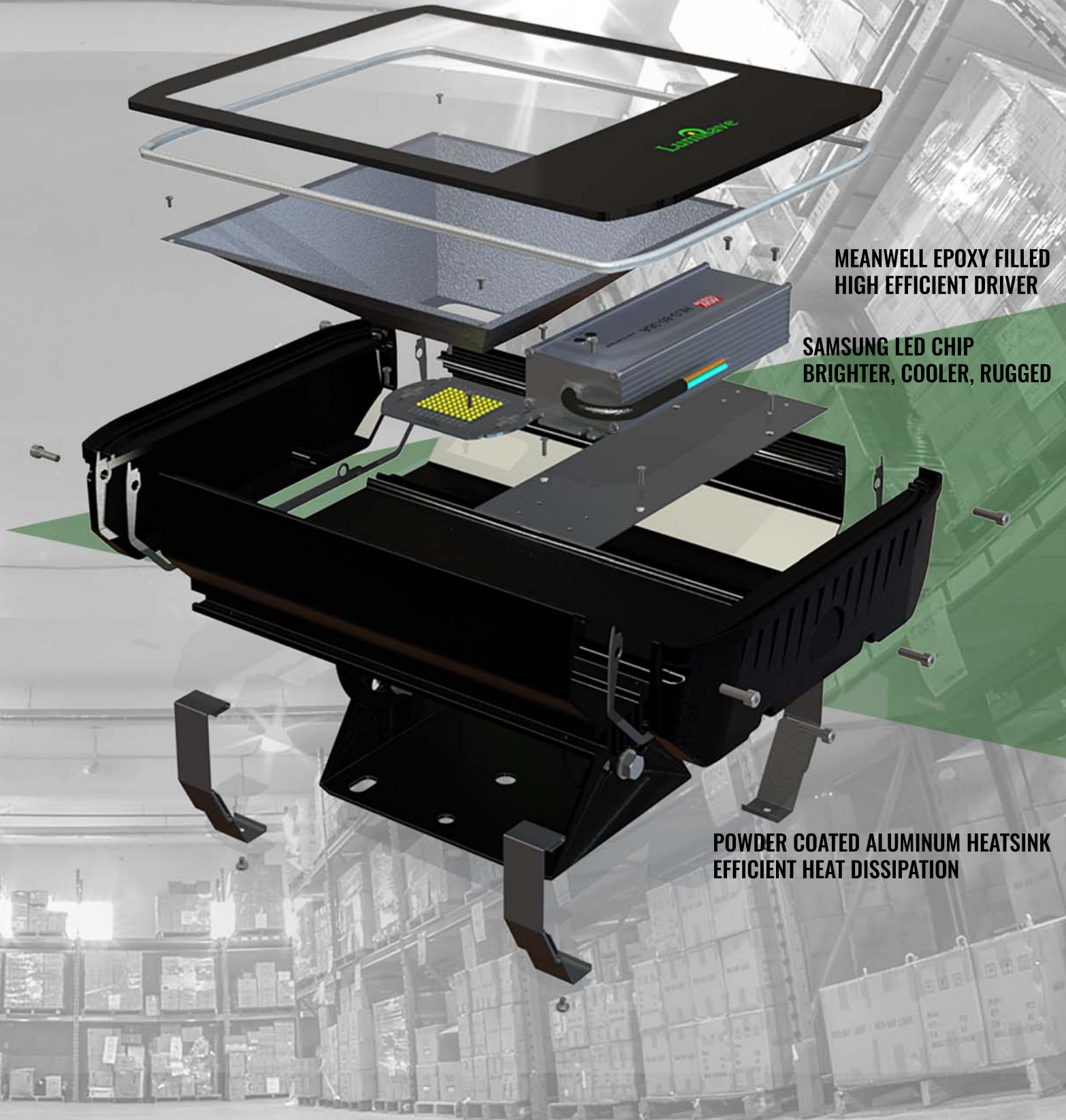


ADVANTAGES

- Designed, Built, and tested in Canada
- Epoxy Filled Driver
- Long Life - 80,000+ Hour Lifespan
- Rated 150 Lumens/Watt Output
- Hazardous Location Certified
- Rugged, Weather-Proof Design
- 5-year Warranty
- Fully Customizable



TM



**MEANWELL EPOXY FILLED
HIGH EFFICIENT DRIVER**

**SAMSUNG LED CHIP
BRIGHTER, COOLER, RUGGED**

**POWDER COATED ALUMINUM HEATSINK
EFFICIENT HEAT DISSIPATION**



**Class I, Div 2-T3A, Class I, Zone 2-T3A
Class II & III, Div 2-T5**

FL390 INDUSTRIAL FLOOD LIGHT

When a long life lamp is required, please consider the FL390 series. Customizable options such as lenses, mounting and voltage make our product fit each of our customer's needs. The FL390 is one of the toughest products in our lineup. Fully customizable to meet all applications.



TECHNICAL SPECIFICATIONS

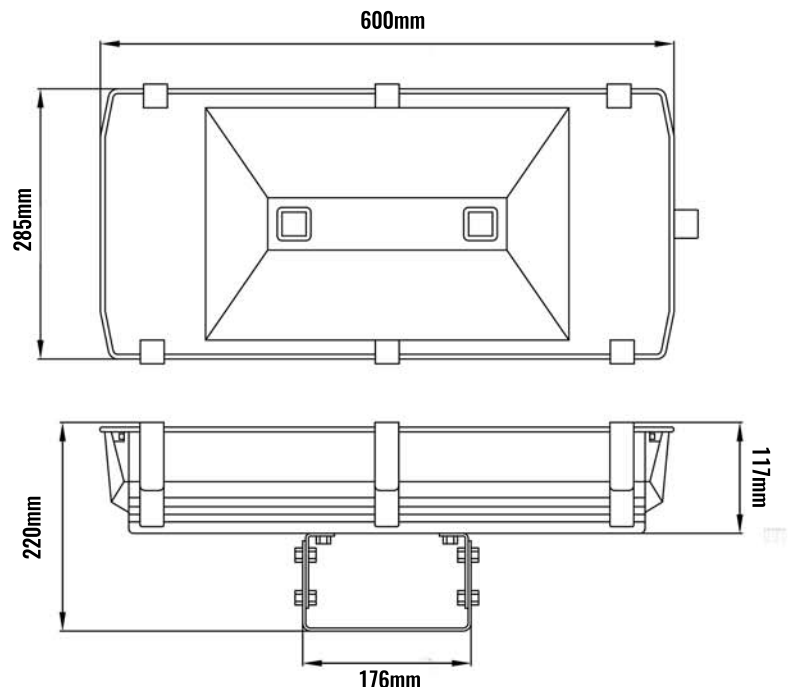
VOLTAGE	120-277V or 347-480V
POWER FACTOR	≤ 95%
LED LUMINOUS EFFICIENCY	150 (LM/W)
MAX LUMEN OUTPUT	16,972LM
COLOUR TEMPERATURE	5000K
COLOUR RENDERING INDEX	Ra>70
LENS	Lexan/Tempered Glass
PROTECTION	Wet Location IP65
FREQUENCY	50/60Hz

LED CHIP	SAMSUNG LH351B LED
LED DRIVER	MEANWELL
MAXIMUM INTENSITY ANGLE	≥ 120 Degree
WORK TEMPERATURE	-40°C to +40°C
WORK HUMIDITY	10% to 95% RH
CHIP LIFE EXPECTANCY	80,000 Hours
FIXTURE	Black Aluminum Alloy Housing
WEIGHT	13.2kg
APPROVED	ETL Listed Tested To CSA and UL Standards DesignLights Consortium (DLC) Qualified Product

APPLICATIONS

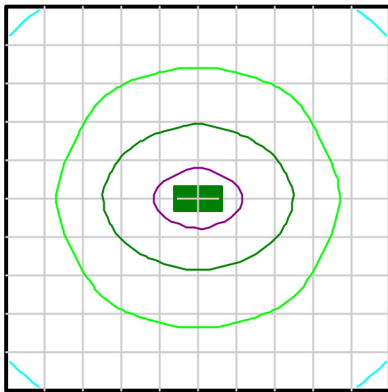
- Oil and gas processing facilities
- Mobile drilling rigs and service equipment
- Offshore oil platforms
- Petroleum refineries
- Chemical plants
- Saw mills and other wood-processing facilities
- Grain processing and storage terminals
- Food processing plants
- Manufacturing facilities
- Mining Operations
- Yard Lighting
- Pole Mounted Applications

DIMENSIONS

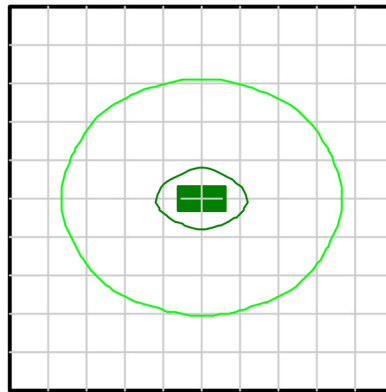


**Class I, Div 2-T3A, Class I, Zone 2-T3A
Class II & III, Div 2-T5**

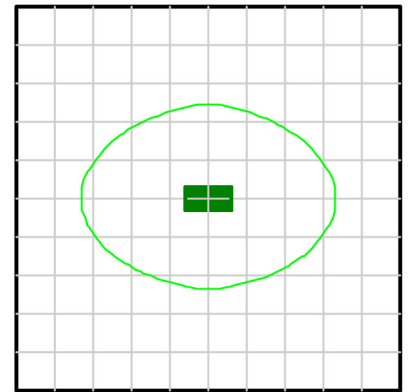
PHOTOMETRY



■ 20 fc ■ 10 fc ■ 1 fc
■ 15 fc ■ 5 fc ■ 0.5 fc
 Fixture mounted @ 20ft | Calculation grid 50ft x 50ft

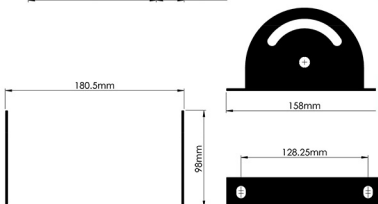
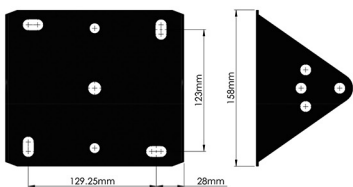


■ 20 fc ■ 10 fc ■ 1 fc
■ 15 fc ■ 5 fc ■ 0.5 fc
 Fixture mounted @ 25ft | Calculation grid 50ft x 50ft



■ 20 fc ■ 10 fc ■ 1 fc
■ 15 fc ■ 5 fc ■ 0.5 fc
 Fixture mounted @ 30ft | Calculation grid 50ft x 50ft

MOUNTING



STANDARD BRACKET

HEAVY DUTY BRACKET

SLIP FITTER

END CAP BRACKET

ORDERING INFORMATION

PART NUMBER EXAMPLE: LS-FL390-150W-MV-LT-W7-BS-H0

LS-FL390-

WATTAGE

150W

VOLTAGE

MV 120-277V
HV 347-480V

LENS

LT TEMPERED GLASS
LX CLEAR LEXAN
LTF FROSTED GLASS
LXF FROSTED LEXAN

CABLE WHIP

W7 7' WHIP
W(X) CUSTOM WHIP

MOUNTING

BS STANDARD BRACKET
BH HEAVY DUTY BRACKET
BE ENDCAP BRACKET
BC CUSTOM BRACKET

HAZLOC

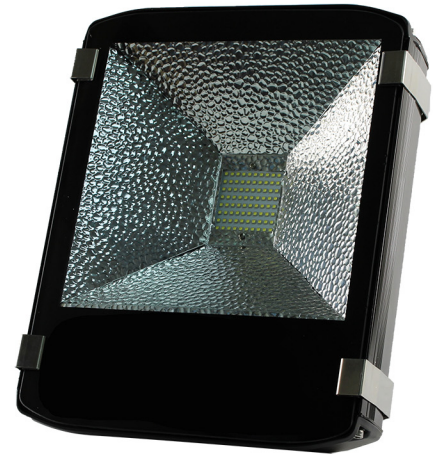
H0 NON HAZARDOUS
H1 HAZARDOUS



**Class I, Div 2-T3A, Class I, Zone 2-T3A
Class II & III, Div 2-T5**

FL370 INDUSTRIAL FLOOD LIGHT

When a long life lamp is required, please consider the FL370 series. Customizable options such as lenses, mounting and voltage make our product fit each of our customer's needs. The FL370 is one of the toughest products in our lineup. Fully customizable to meet all applications.



TECHNICAL SPECIFICATIONS

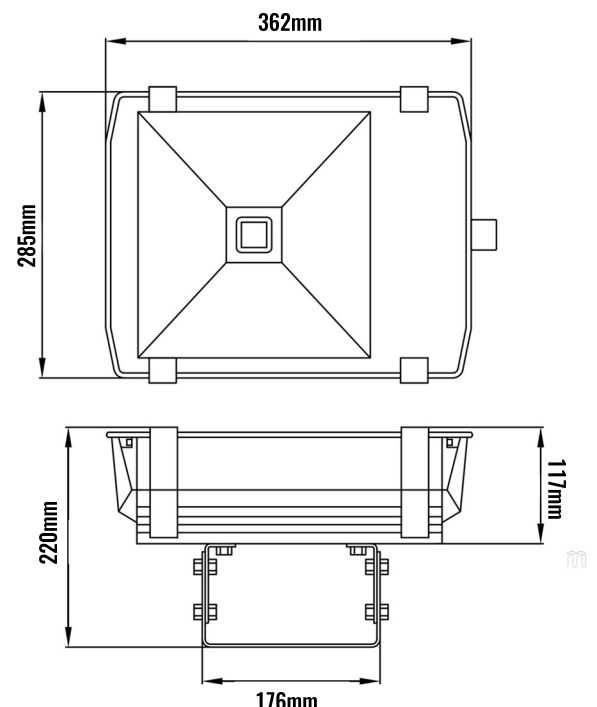
VOLTAGE	120-277V or 347-480V
POWER FACTOR	≤ 95%
LED LUMINOUS EFFICIENCY	150 (LM/W)
MAX LUMEN OUTPUT	7942 LM
COLOUR TEMPERATURE	5000K
COLOUR RENDERING INDEX	Ra>70
LENS	Lexan/Tempered Glass
PROTECTION	Wet Location IP65
FREQUENCY	50/60Hz

LED CHIP	SAMSUNG LH351B LED
LED DRIVER	MEANWELL
MAXIMUM INTENSITY ANGLE	≥ 120 Degree
WORK TEMPERATURE	-40°C to +40°C
WORK HUMIDITY	10% to 95% RH
CHIP LIFE EXPECTANCY	80,000 Hours
FIXTURE	Black Aluminum Alloy Housing
WEIGHT	9.5kg
APPROVED	ETL Listed Tested To CSA and UL Standards DesignLights Consortium (DLC) Qualified Product

APPLICATIONS

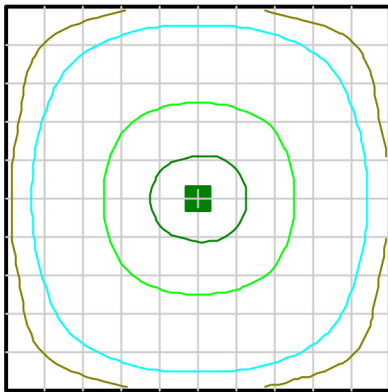
- Oil and gas processing facilities
- Mobile drilling rigs and service equipment
- Offshore oil platforms
- Petroleum refineries
- Chemical plants
- Saw mills and other wood-processing facilities
- Grain processing and storage terminals
- Food processing plants
- Manufacturing facilities
- Mining Operations
- Yard Lighting
- Pole Mounted Applications

DIMENSIONS

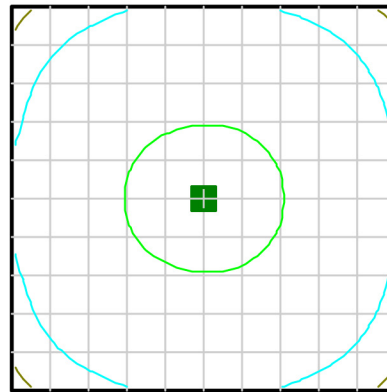


**Class I, Div 2-T3A, Class I, Zone 2-T3A
Class II & III, Div 2-T5**

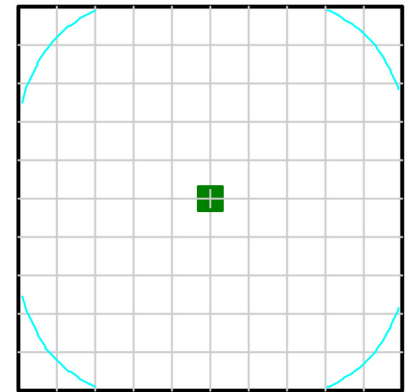
PHOTOMETRY



■ 20 fc ■ 10 fc ■ 1 fc
■ 15 fc ■ 5 fc ■ 0.5 fc
 Fixture mounted @ 15ft | Calculation grid 50ft x 50ft

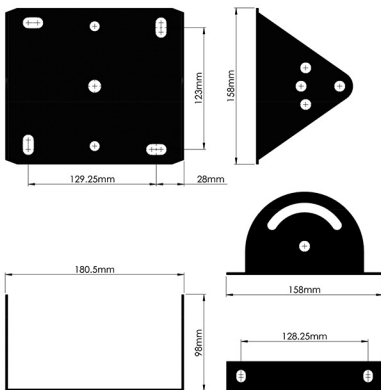


■ 20 fc ■ 10 fc ■ 1 fc
■ 15 fc ■ 5 fc ■ 0.5 fc
 Fixture mounted @ 20ft | Calculation grid 50ft x 50ft



■ 20 fc ■ 10 fc ■ 1 fc
■ 15 fc ■ 5 fc ■ 0.5 fc
 Fixture mounted @ 25ft | Calculation grid 50ft x 50ft

MOUNTING



STANDARD BRACKET



MAGNETIC MOUNT



SLIP FITTER



END CAP BRACKET

ORDERING INFORMATION

PART NUMBER EXAMPLE: LS-FL370-70W-MV-LT-W7-BS-H0

LS-FL370-

WATTAGE

70W

VOLTAGE

MV 120-277V
HV 347-480V

LENS

LT TEMPERED GLASS
LX CLEAR LEXAN
LTF FROSTED GLASS
LXF FROSTED LEXAN

CABLE WHIP

W7 7' WHIP
W(X) CUSTOM WHIP

MOUNTING

BS STANDARD BRACKET
BH HEAVY DUTY BRACKET
BE ENDCAP BRACKET
BC CUSTOM BRACKET

HAZLOC

H0 NON HAZARDOUS
H1 HAZARDOUS



**Class I, Div 2-T4, Class I, Zone 2-T4
Class II & III, Div 2-T5**

FL360 INDUSTRIAL FLOOD LIGHT

With high quality LED chips offering superior brightness along with durable housing construction, The FL360 Series flood light is the perfect fit for various flood lighting applications. This fixture excels in medium to high mounting heights, offering superior brightness.



TECHNICAL SPECIFICATIONS

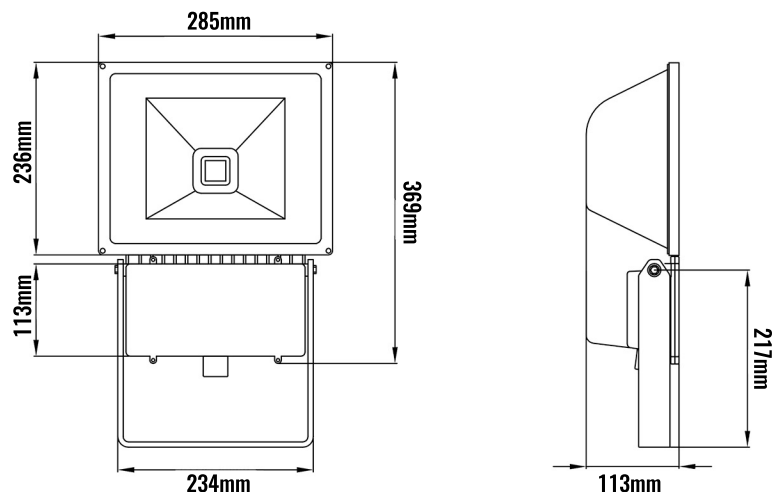
VOLTAGE	120-277V
POWER FACTOR	≤ 95%
LED LUMINOUS EFFICIENCY	150 (LM/W)
MAX LUMEN OUTPUT	8201 LM
COLOUR TEMPERATURE	5000K
COLOUR RENDERING INDEX	Ra>70
LENS	Lexan/Tempered Glass
PROTECTION	Wet Location IP65
FREQUENCY	50/60Hz

LED CHIP	SAMSUNG LH351B LED
LED DRIVER	MEANWELL
MAXIMUM INTENSITY ANGLE	≥ 120 Degree
WORK TEMPERATURE	-40°C to +40°C
WORK HUMIDITY	10% to 95% RH
CHIP LIFE EXPECTANCY	80,000 Hours
FIXTURE	Black Aluminum Alloy Housing
WEIGHT	8kg
APPROVED	ETL Listed Tested To CSA and UL Standards DesignLights Consortium (DLC) Qualified Product

APPLICATIONS

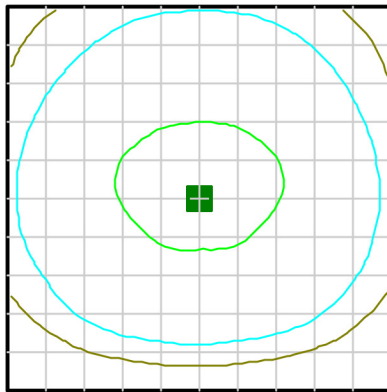
- Oil and gas processing facilities
- Mobile drilling rigs and service equipment
- Offshore oil platforms
- Petroleum refineries
- Chemical plants
- Saw mills and other wood-processing facilities
- Grain processing and storage terminals
- Food processing plants
- Manufacturing facilities
- Mining Operations
- Yard Lighting
- Pole Mounted Applications

DIMENSIONS

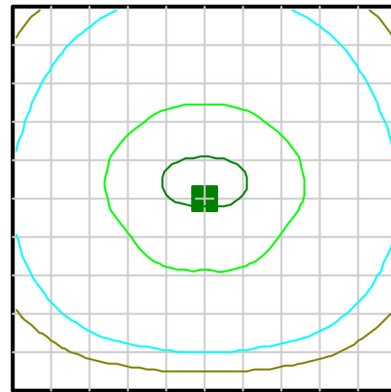


**Class I, Div 2-T4, Class I, Zone 2-T4
Class II & III, Div 2-T5**

PHOTOMETRY

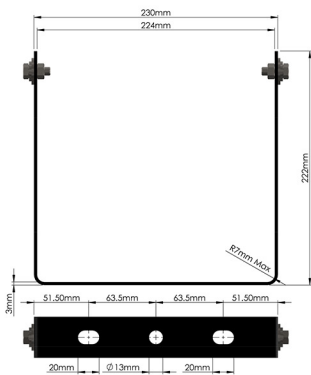


■ 20 fc ■ 10 fc ■ 1 fc
■ 15 fc ■ 5 fc ■ 0.5 fc
 Fixture mounted @ 20ft | Calculation grid 50ft x 50ft
LS-FL360-60W-MV-LT-W7-BS-HO



■ 20 fc ■ 10 fc ■ 1 fc
■ 15 fc ■ 5 fc ■ 0.5 fc
 Fixture mounted @ 20ft | Calculation grid 50ft x 50ft
LS-FL360-80W-MV-LT-W7-BS-HO

MOUNTING



STANDARD BRACKET



MAGNETIC MOUNT



SLIP FITTER



HEAVY DUTY BRACKET

ORDERING INFORMATION

PART NUMBER EXAMPLE: LS-FL360-60W-MV-LT-W7-BS-HO

LS-FL360-

WATTAGE

60W
80W

VOLTAGE

MV 120-277V

LENS

LT TEMPERED GLASS
LX CLEAR LEXAN
LTF FROSTED GLASS
LXF FROSTED LEXAN

CABLE WHIP

W7 7' WHIP
W(X) CUSTOM WHIP

MOUNTING

BS STANDARD BRACKET
BH HEAVY DUTY BRACKET
BE ENDCAP BRACKET
MM MAGNETIC MOUNT

HAZLOC

H0 NON HAZARDOUS
H1 HAZARDOUS



**Class I, Div 2-T3, Class I, Zone 2-T3
Class II & III, Div 2-T5**

FL290 INDUSTRIAL FLOOD LIGHT

Our rugged aluminum powder coated fixture housing is built for commercial and industrial sites. This compact and light weight fixture can be utilized in a variety of flood lighting applications. With various mounting options, the FL290 offers a solution for any application.



TECHNICAL SPECIFICATIONS

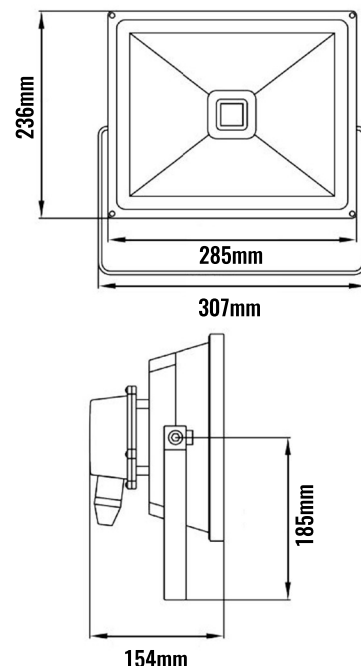
VOLTAGE	120-277V or 347-480V
POWER FACTOR	≤ 95%
LED LUMINOUS EFFICIENCY	150 (LM/W)
MAX LUMEN OUTPUT	4133 LM
COLOUR TEMPERATURE	5000K
COLOUR RENDERING INDEX	Ra>70
LENS	Lexan/Tempered Glass
PROTECTION	Wet Location IP65
FREQUENCY	50/60Hz

LED CHIP	SAMSUNG LH351B LED
LED DRIVER	MEANWELL
MAXIMUM INTENSITY ANGLE	≥ 120 Degree
WORK TEMPERATURE	-40°C to +40°C
WORK HUMIDITY	10% to 95% RH
CHIP LIFE EXPECTANCY	80,000 Hours
FIXTURE	Black Aluminum Alloy Housing
WEIGHT	5.5kg
APPROVED	ETL Listed Tested To CSA and UL Standards DesignLights Consortium (DLC) Qualified Product

APPLICATIONS

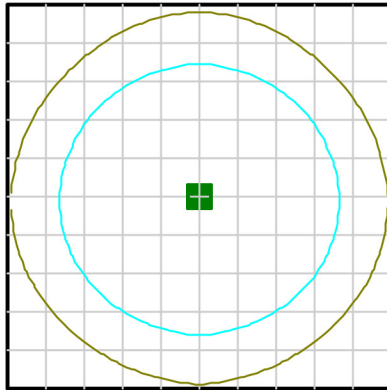
- Oil and gas processing facilities
- Mobile drilling rigs and service equipment
- Offshore oil platforms
- Petroleum refineries
- Chemical plants
- Saw mills and other wood-processing facilities
- Grain processing and storage terminals
- Food processing plants
- Manufacturing facilities
- Mining Operations
- Exterior Lighting
- Pole Mounted Applications

DIMENSIONS

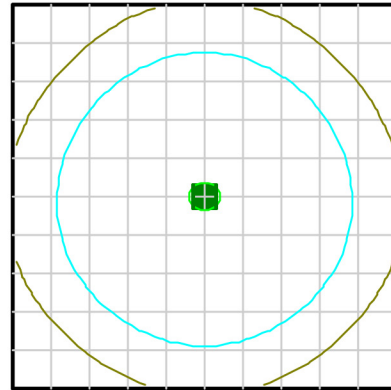


**Class I, Div 2-T3, Class I, Zone 2-T3
Class II & III, Div 2-T5**

PHOTOMETRY

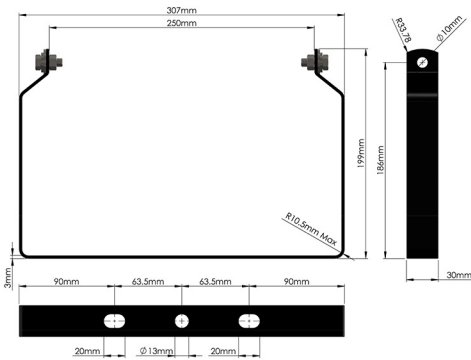


■ 20 fc ■ 10 fc ■ 1 fc
■ 15 fc ■ 5 fc ■ 0.5 fc
 Fixture mounted @ 20ft | Calculation grid 50ft x 50ft
 LS-FL290-40W-MV-LT-W7-BS-HO



■ 20 fc ■ 10 fc ■ 1 fc
■ 15 fc ■ 5 fc ■ 0.5 fc
 Fixture mounted @ 20ft | Calculation grid 50ft x 50ft
 LS-FL290-50W-MV-LT-W7-BS-HO

MOUNTING



STANDARD BRACKET



MAGNETIC MOUNT



SLIP FITTER



HEAVY DUTY BRACKET

ORDERING INFORMATION

PART NUMBER EXAMPLE: LS-FL290-40W-MV-LT-W7-BS-HO

LS-FL290-

WATTAGE

40W
50W

VOLTAGE

MV 120-277V
HV 347-480V

LENS

LT TEMPERED GLASS
LX CLEAR LEXAN
LTF FROSTED GLASS
LXF FROSTED LEXAN

CABLE WHIP

W7 7' WHIP
W(X) CUSTOM WHIP

MOUNTING

BS STANDARD BRACKET
BH HEAVY DUTY BRACKET
BE ENDCAP BRACKET
MM MAGNETIC MOUNT

HAZLOC

H0 NON HAZARDOUS
H1 HAZARDOUS



**Class I, Div 2-T3, Class I, Zone 2-T3
Class II & III, Div 2-T2**

FL225 INDUSTRIAL FLOOD LIGHT

The high-powered LED chip offers superior brightness, proven to eliminate safety concerns while providing exceptional light quality for highly productive environments. Customizable options such as lenses, mounting brackets and various voltages make our product fit each customer's needs.



TECHNICAL SPECIFICATIONS

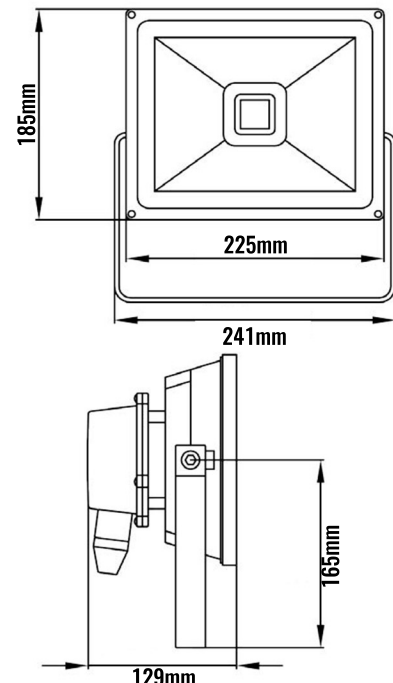
VOLTAGE	120-277V
POWER FACTOR	≤ 95%
LED LUMINOUS EFFICIENCY	150 (LM/W)
MAX LUMEN OUTPUT	2943 LM
COLOUR TEMPERATURE	5000K
COLOUR RENDERING INDEX	Ra>70
LENS	Lexan/Tempered Glass
PROTECTION	Wet Location IP65
FREQUENCY	50/60Hz

LED CHIP	BRIDGELUX LED
LED DRIVER	MEANWELL
MAXIMUM INTENSITY ANGLE	≥ 120 Degree
WORK TEMPERATURE	-40°C to +40°C
WORK HUMIDITY	10% to 95% RH
CHIP LIFE EXPECTANCY	80,000 Hours
FIXTURE	Black Aluminum Alloy Housing
WEIGHT	4.5kg
APPROVED	ETL Listed Tested To CSA and UL Standards

APPLICATIONS

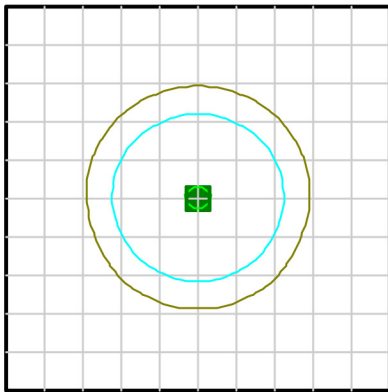
- Oil and gas processing facilities
- Mobile drilling rigs and service equipment
- Offshore oil platforms
- Petroleum refineries
- Chemical plants
- Saw mills and other wood-processing facilities
- Grain processing and storage terminals
- Food processing plants
- Manufacturing facilities
- Mining Operations
- Exterior Lighting
- Pole Mounted Applications

DIMENSIONS

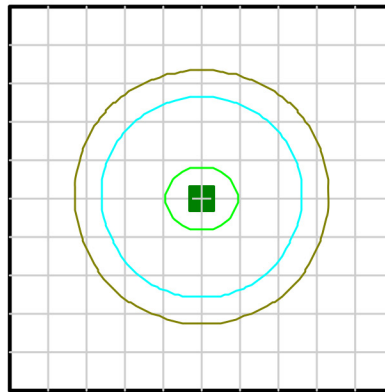


**Class I, Div 2-T3, Class I, Zone 2-T3
Class II & III, Div 2-T2**

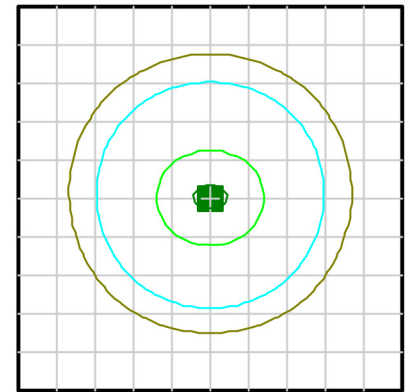
PHOTOMETRY



■ 20 fc ■ 10 fc ■ 1 fc
■ 15 fc ■ 5 fc ■ 0.5 fc
 Fixture mounted @ 10ft | Calculation grid 50ft x 50ft
 LS-FL225-10W-MV-LT-W7-BS-HO

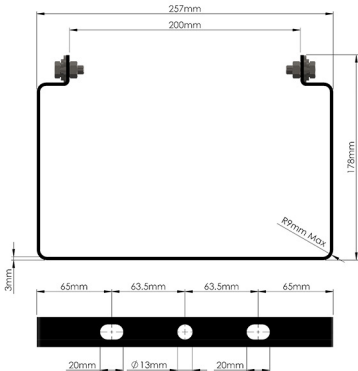


■ 20 fc ■ 10 fc ■ 1 fc
■ 15 fc ■ 5 fc ■ 0.5 fc
 Fixture mounted @ 10ft | Calculation grid 50ft x 50ft
 LS-FL225-20W-MV-LT-W7-BS-HO

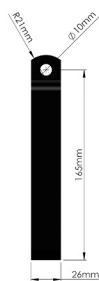


■ 20 fc ■ 10 fc ■ 1 fc
■ 15 fc ■ 5 fc ■ 0.5 fc
 Fixture mounted @ 10ft | Calculation grid 50ft x 50ft
 LS-FL225-30W-MV-LT-W7-BS-HO

MOUNTING



STANDARD BRACKET



MAGNETIC MOUNT



SLIP FITTER



HEAVY DUTY BRACKET

ORDERING INFORMATION

PART NUMBER EXAMPLE: LS-FL225-10W-MV-LT-W7-BS-HO

LS-FL225-

WATTAGE

10W
20W
30W

VOLTAGE

MV 120-277V

LENS

LT TEMPERED GLASS
LX CLEAR LEXAN
LTF FROSTED GLASS
LXF FROSTED LEXAN

CABLE WHIP

W7 7' WHIP
W(X) CUSTOM WHIP

MOUNTING

BS STANDARD BRACKET
BH HEAVY DUTY BRACKET
BE ENDCAP BRACKET
MM MAGNETIC MOUNT

HAZLOC

H0 NON HAZARDOUS
H1 HAZARDOUS



INDUSTRIAL SERIES

BAYLIGHTS

INDUSTRIAL PROTECTION, INDUSTRIAL STRENGTH

With the Lumisave Industrial Bay Light Series you can have complete confidence knowing you've got one of the toughest lighting products on the market. Designed with industrial environments in mind, these fixtures are able to withstand the wear and tear of the everyday use on industrial sites large or small.

BAYLIGHT SERIES

- Industrial Applications
- Indoor & Outdoor Applications
- Wet & Dry Locations
- High Vibrations
- Oil & Gas Industry
- Mining Industry
- Warehouses
- Industrial Walkways
- Low & High Mounting Applications
- Stanchion Mounting



ADVANTAGES

- Designed, Built, and tested in Canada
- Epoxy Filled Driver
- Long Life - 80,000+ Hour Lifespan
- Rated 150 Lumens/Watt Output
- Hazardous Location Certified
- Rugged, Weather-Proof Design
- 5-year Warranty
- Fully Customizable



**VARIOUS MOUNTING
OPTIONS**

**MEANWELL EPOXY FILLED
HIGH EFFICIENT DRIVER**

**POWDER COATED
ALUMINUM HEATSINK
EFFICIENT HEAT DISSIPATION**

**SAMSUNG LED CHIP
BRIGHTER, COOLER, RUGGED**



**Class I, Div 2-T3, Class I, Zone 2-T3
Class II & III, Div 2-T5**

BL520 INDUSTRIAL BAY LIGHT

High powered LED's offering superior brightness allow the BL520 Series Industrial bay light to excel in a variety of lighting applications. Built with high quality components, offering Lumisaves trusted Industrial strength, along with various accessories allow this fixture to shine in any application.



TECHNICAL SPECIFICATIONS

VOLTAGE	120-277V or 347-480V
POWER FACTOR	≤ 95%
LED LUMINOUS EFFICIENCY	150 (LM/W)
MAX LUMEN OUTPUT	19,167 LM
COLOUR TEMPERATURE	5000K
COLOUR RENDERING INDEX	Ra>70
LENS	Tempered Glass
PROTECTION	Wet Location IP65
FREQUENCY	50/60Hz

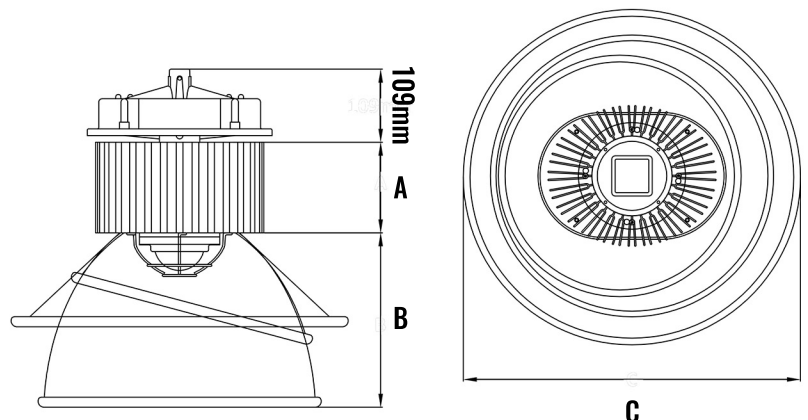
LED CHIP	SAMSUNG LH351B LED
LED DRIVER	MEANWELL
MAXIMUM INTENSITY ANGLE	≥ 120 Degree
WORK TEMPERATURE	-40°C to +40°C
WORK HUMIDITY	10% to 95% RH
CHIP LIFE EXPECTANCY	80,000 Hours
FIXTURE	Black Aluminum Alloy Housing
WEIGHT	9kg/10.6kg/12.2kg
APPROVED	ETL Listed Tested To CSA and UL Standards DesignLights Consortium (DLC) Qualified Product

APPLICATIONS

- Oil and gas processing facilities
- Mobile drilling rigs and service equipment
- Offshore oil platforms
- Petroleum refineries
- Chemical plants
- Saw mills and other wood-processing facilities
- Grain processing and storage terminals
- Food processing plants
- Manufacturing facilities
- Mining Operations

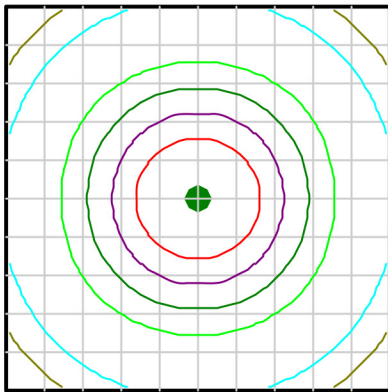
DIMENSIONS

A		B					
		RS	RD	RA	RC	RN	DGW
100W	150mm	140mm	260mm	260mm	165mm	55mm	65mm
150W	180mm	140mm	260mm	260mm	165mm	55mm	65mm
200W	250mm	140mm	260mm	260mm	165mm	55mm	65mm
	C	500mm	420mm	420mm	360mm	280mm	280mm



Class I, Div 2-T3, Class I, Zone 2-T3
Class II & III, Div 2-T5

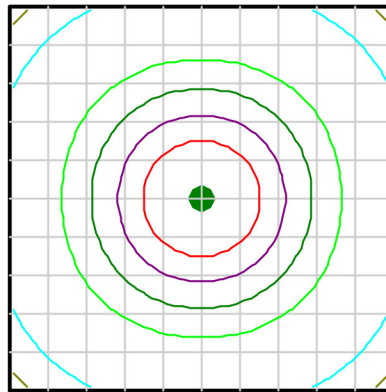
PHOTOMETRY



■ 20 fc ■ 10 fc ■ 1 fc
■ 15 fc ■ 5 fc ■ 0.5 fc

Fixture mounted @ 20ft | Calculation grid 50ft x 50ft

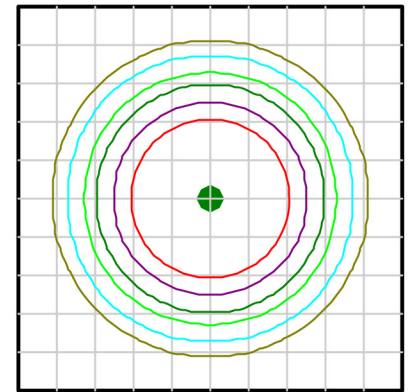
LS-BL520-200W-MV-DC-RA-W7-MH-HO



■ 20 fc ■ 10 fc ■ 1 fc
■ 15 fc ■ 5 fc ■ 0.5 fc

Fixture mounted @ 20ft | Calculation grid 50ft x 50ft

LS-BL520-200W-MV-DC-RS-W7-MH-HO



■ 20 fc ■ 10 fc ■ 1 fc
■ 15 fc ■ 5 fc ■ 0.5 fc

Fixture mounted @ 20ft | Calculation grid 50ft x 50ft

LS-BL520-200W-MV-DC-RD-W7-MH-HO

MOUNTING



HOOK MOUNT
(MH)



PENDANT MOUNT
(MP)



STANCHION MOUNT
(UMS)



WALL MOUNT
(UMS)



RETROFIT
(UAP)

ORDERING INFORMATION

PART NUMBER EXAMPLE: LS-BL520-100W-MV-DG-RN-W7-MH-HO

LS-BL520-

WATTAGE	VOLTAGE	LENS	REFLECTOR	CABLE WHIP	MOUNTING	HAZLOC
100W	MV 120-277V	DG GLASS DOME	RN NO REFLECTOR	W1 UMS & UAP	MH MALE THREAD HOOK	H0 NON HAZARDOUS
150W	HV 347-480V	DGF FROSTED GLASS	RS SHALLOW REFLECTOR	W7 7' WHIP	MP 1/2" PENDANT MOUNT	H1 HAZARDOUS
200W		D(X)W WIRE GUARD	RD DEEP REFLECTOR	W(X) CUSTOM WHIP	UMS UNIVERSAL MOUNT	
			RA LEXAN REFLECTOR		UAP ADAPTOR PLATE	
			RC CUTOFF REFLECTOR			



**Class I, Div 2-T4, Class I, Zone 2-T4
Class II & III, Div 2-T5**

BL420 INDUSTRIAL BAY LIGHT

High powered LED's offering superior brightness allow the BL420 Series Industrial bay light to excel in a variety of lighting applications. Built with high quality components, offering Lumisaves trusted Industrial strength, along with various accessories allow this fixture to shine in any application.



TECHNICAL SPECIFICATIONS

VOLTAGE	120-277V or 347-480V
POWER FACTOR	≤ 95%
LED LUMINOUS EFFICIENCY	150 (LM/W)
MAX LUMEN OUTPUT	9525 LM
COLOUR TEMPERATURE	5000K
COLOUR RENDERING INDEX	Ra>70
LENS	Lexan/Tempered Glass
PROTECTION	Wet Location IP65
FREQUENCY	50/60Hz

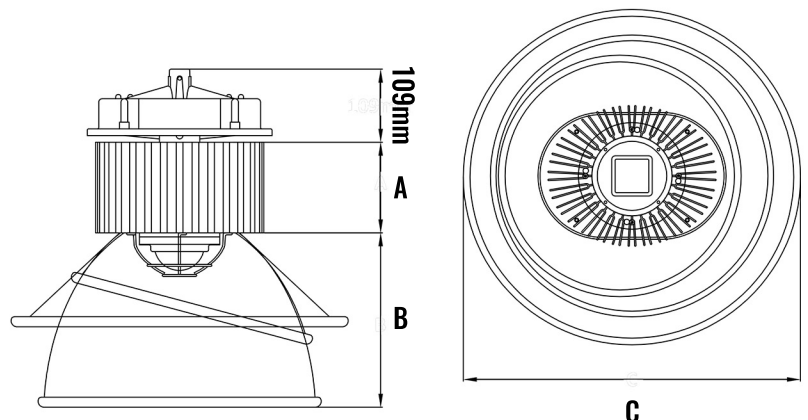
LED CHIP	SAMSUNG LH351B LED
LED DRIVER	MEANWELL
MAXIMUM INTENSITY ANGLE	≥ 120 Degree
WORK TEMPERATURE	-40°C to +40°C
WORK HUMIDITY	10% to 95% RH
CHIP LIFE EXPECTANCY	80,000 Hours
FIXTURE	Black Aluminum Alloy Housing
WEIGHT	4.5kg/6.8kg/6.8kg
APPROVED	ETL Listed Tested To CSA and UL Standards DesignLights Consortium (DLC) Qualified Product

APPLICATIONS

- Oil and gas processing facilities
- Mobile drilling rigs and service equipment
- Offshore oil platforms
- Petroleum refineries
- Chemical plants
- Saw mills and other wood-processing facilities
- Grain processing and storage terminals
- Food processing plants
- Manufacturing facilities
- Mining Operations
- Stanchion/Wall mounted applications
- Retrofit applications

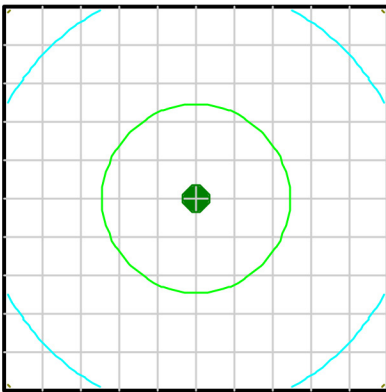
DIMENSIONS

A		B					
		RS	RD	RA	RC	RN	DGW
30W	60mm	140mm	260mm	260mm	165mm	55mm	65mm
60W	135mm	140mm	260mm	260mm	165mm	55mm	65mm
80W	135mm	140mm	260mm	260mm	165mm	55mm	65mm
	C	500mm	420mm	420mm	360mm	280mm	280mm

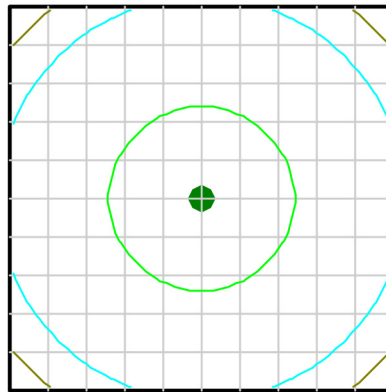


**Class I, Div 2-T4, Class I, Zone 2-T4
Class II & III, Div 2-T5**

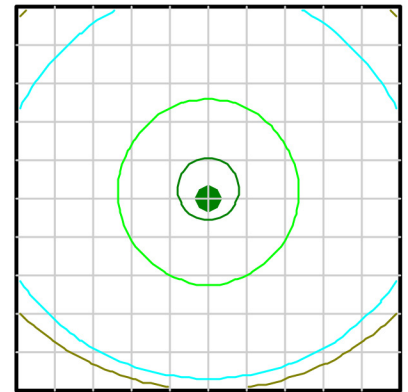
PHOTOMETRY



20 fc 10 fc 1 fc
15 fc 5 fc 0.5 fc
Fixture mounted @ 20ft | Calculation grid 50ft x 50ft
LS-BL420-80W-MV-DC-RS-W7-MH-HO



20 fc 10 fc 1 fc
15 fc 5 fc 0.5 fc
Fixture mounted @ 20ft | Calculation grid 50ft x 50ft
LS-BL420-80W-MV-DC-RA-W7-MH-HO



20 fc 10 fc 1 fc
15 fc 5 fc 0.5 fc
Fixture mounted @ 20ft | Calculation grid 50ft x 50ft
LS-BL420-80W-MV-DC-RC-W7-MH-HO

MOUNTING



HOOK MOUNT
(MH)



PENDANT MOUNT
(MP)



STANCHION MOUNT
(UMS)



WALL MOUNT
(UMS)



RETROFIT
(UAP)

ORDERING INFORMATION

PART NUMBER EXAMPLE: LS-BL420-30W-MV-DC-RN-W7-MH-HO

LS-BL420-

WATTAGE

30W
60W
80W

VOLTAGE

MV 120-277V
HV 347-480V

LENS

DC CLEAR DOME
DF FROSTED DOME

REFLECTOR

RN NO REFLECTOR
RS SHALLOW REFLECTOR
RD DEEP REFLECTOR
RA LEXAN REFLECTOR
RC CUTOFF REFLECTOR

CABLE WHIP

W1 UMS & UAP
W7 7' WHIP
W(X) CUSTOM WHIP

MOUNTING

MH MALE THREAD HOOK
MP 1/2" PENDANT MOUNT
UMS UNIVERSAL MOUNT
UAP ADAPTOR PLATE

HAZLOC

H0 NON HAZARDOUS
H1 HAZARDOUS



INDUSTRIAL SERIES

FIXTURE ACCESSORIES

INDUSTRIAL PROTECTION, INDUSTRIAL STRENGTH

Through working closely with our customers to match their needs in the industry, Lumisave has developed and implemented rugged and practical accessories to be used along side of our cutting edge LED fixtures.

UNIVERSAL ADAPTOR PLATE

The UAP is a retrofit adaptor for mounting the BL420 & BL520 Series to fit your new or existing mounting requirements. It adapts to any Crouse Hinds DMV or VMV Series mounting option and is suitable for both wet & dry locations.



UNIVERSAL MOUNTING SYSTEM



STANCHION MOUNT

WALL MOUNT

The UMS is a unique universal mounting system developed by Lumisave for the BL420 & BL520 Series fixtures. The UMS can be configured for wall or stanchion mounting in either a 0° or 22.5° mounting angle. It has a built in wiring compartment to eliminate extra junction boxes or connection points.



INDUSTRIAL SERIES

FIXTURE ACCESSORIES

BAYLIGHT DOMES



GLASS

THE GLASS DOME FOCUSES THE LIGHT TO REDUCE LIGHT SPILL.



CLEAR

THE LEXAN DOME GIVES THE LED CHIP INCREASED PROTECTION.



FROSTED

THE FROSTED DOME DIFFUSER IS BEST USED TO REDUCE GLARE.



WIRE GUARD

THE WIRE GUARD PROVIDES EXTRA PROTECTION FOR LENS OPTIONS.

BAYLIGHT REFLECTORS



DEEP

BEST USED FOR HIGH MOUNTING APPLICATIONS.



SHALLOW

WIDE DISTRIBUTION, BEST USED FOR LOW MOUNTING APPLICATIONS.



LEXAN

PROVIDES AMBIENT LIGHT REDUCING "CAVE EFFECT".



CUT OFF

DIRECTED LIGHT IN SITUATIONS WHERE THE FIXTURE IS NOT POINTED STRAIGHT DOWN.

FLOODLIGHT OPTIONS



END CAP BRACKET

THE END CAP BRACKET IS SUITABLE FOR THE FL390/FL370 SERIES FOR USE WITH THE END CAP.



END CAP

THE END CAP ALLOWS THE FL SERIES FIXTURES TO BE POLE/ BULL HORN MOUNTED.



LENSES

AVAILABLE IN GLASS OR LEXAN. FROSTED OR CLEAR APPLICATIONS.



MAGNETIC MOUNT

FOR TEMPORARY MOUNTING APPLICATIONS.



GENERAL LOCATION RATED FIXTURE

SL760 AREA LIGHT

This two chip fixture with type II distribution optimizes lighting and reduces light pollution in street lighting and parking lot applications. Customizable voltages and chip colours allow our product to fit each of our customers needs.



TECHNICAL SPECIFICATIONS

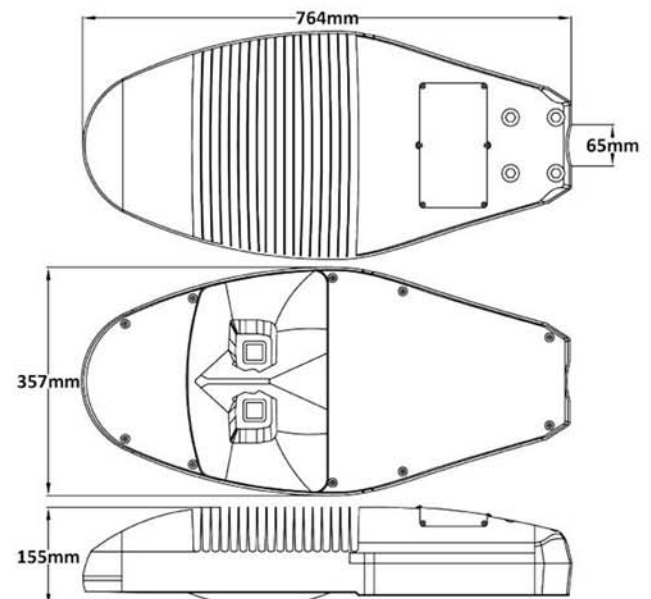
VOLTAGE	120-277V or 347-480V
POWER FACTOR	≤ 95%
LED LUMINOUS EFFICIENCY	100 (LM/W)
MAX LUMEN OUTPUT	11518 LM
COLOUR TEMPERATURE	5000K
COLOUR RENDERING INDEX	Ra>70
LENS	Lexan/Tempered Glass
PROTECTION	Wet Location IP65
FREQUENCY	50/60Hz

LED CHIP	BRIDGELUX LED
LED DRIVER	MEANWELL
MAXIMUM INTENSITY ANGLE	TYPE II
WORK TEMPERATURE	-40°C to +40°C
WORK HUMIDITY	10% to 95% RH
CHIP LIFE EXPECTANCY	80,000 Hours
FIXTURE	Black Aluminum Alloy Housing
WEIGHT	13.6kg
APPROVED	ETL Listed Tested To CSA and UL Standards

APPLICATIONS

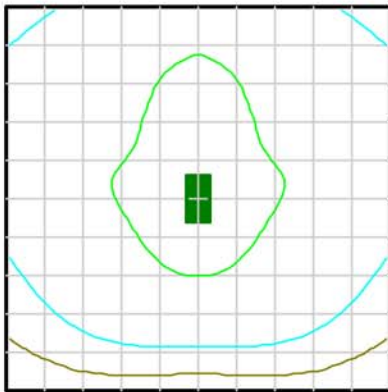
- Parking Lot Lighting
- Street Lighting
- Area Lighting Applications
- Service Roads
- Haul Trucking Roadways
- Yard Lighting
- Perimeter Lighting

DIMENSIONS

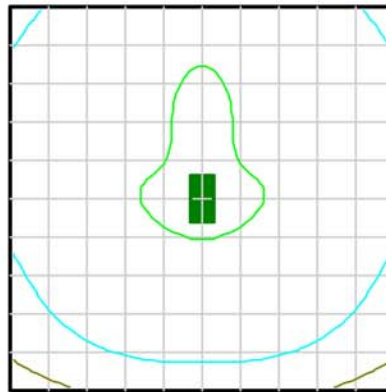


GENERAL LOCATION RATED FIXTURE

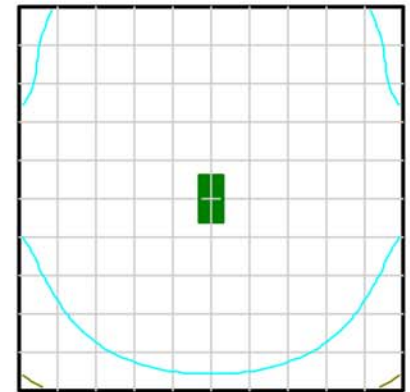
PHOTOMETRY



■ 20 fc ■ 10 fc ■ 1 fc
■ 15 fc ■ 5 fc ■ 0.5 fc
 Fixture mounted @ 20ft | Calculation grid 50ft x 50ft



■ 20 fc ■ 10 fc ■ 1 fc
■ 15 fc ■ 5 fc ■ 0.5 fc
 Fixture mounted @ 25ft | Calculation grid 50ft x 50ft



■ 20 fc ■ 10 fc ■ 1 fc
■ 15 fc ■ 5 fc ■ 0.5 fc
 Fixture mounted @ 30ft | Calculation grid 50ft x 50ft

MOUNTING



DAVIT MOUNT

ORDERING INFORMATION

PART NUMBER EXAMPLE: LS-SL760-150W-MV-C50-PN-HO

LS-SL760-

WATTAGE

150W

VOLTAGE

MV 120-277V
HV 347-480V

COLOUR TEMP

C50 5000K
CGR GREEN

PHOTO CELL

PN NO PHOTO CELL
PC PHOTO CELL
PF INLINE FUSING*
PCF PHOTO CELL & INLINE FUSING

HAZLOC

HO NON HAZARDOUS



LUMISAVE INDUSTRIAL LED TECHNOLOGIES LTD.

1001 Great St
Prince George, BC, V2N 2K8
P: 1-855-563-7284 F: 250-563-7289