



# HEAVY INDUSTRIAL FLOOD LIGHT FL395 SERIES

## 150W



### FL395 INDUSTRIAL FLOOD LIGHT

Made to stand up to extreme conditions, the FL395 Industrial Series 150W LED Flood Light can provide 22,500 raw lumens of light. This floodlight is exclusive to Lumisave and is stronger, brighter, and runs cooler than the FL390.

**Class I, Div 2-T3C, Class I, Zone 2-T3C  
Class II & III, Div 2-T5**

### TECHNICAL SPECIFICATIONS

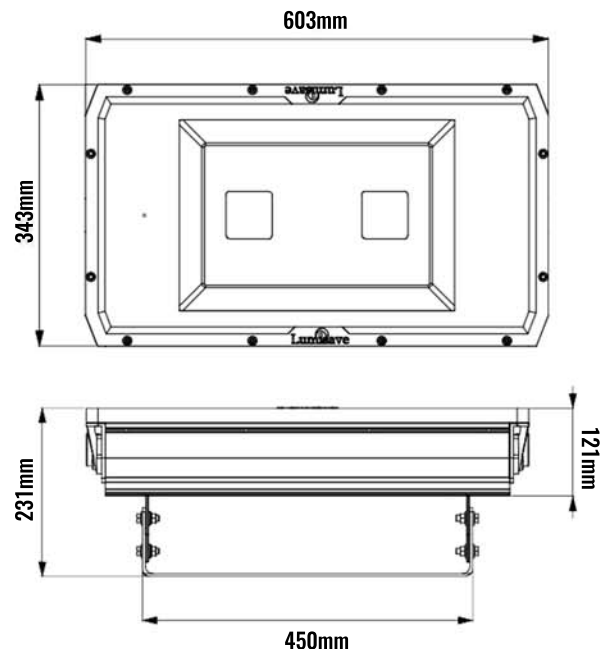
VOLTAGE	120-277V or 347-480V
POWER FACTOR	≤ 95%
LED LUMINOUS EFFICIENCY	150 (LM/W)
MAX LUMEN OUTPUT	16,972 LM
COLOUR TEMPERATURE	5000K
COLOUR RENDERING INDEX	Ra>70
LENS	6mm Lexan
PROTECTION	Wet Location IP65
FREQUENCY	50/60Hz

LED CHIP	SAMSUNG LH351B LED
LED DRIVER	MEANWELL
MAXIMUM INTENSITY ANGLE	≥ 120 Degree
WORK TEMPERATURE	-40°C to +40°C
WORK HUMIDITY	10% to 95% RH
CHIP LIFE EXPECTANCY	80,000 Hours
FIXTURE	Black Aluminum Alloy Housing
WEIGHT	17kg
APPROVED	ETL Listed Tested To CSA and UL Standards DesignLights Consortium (DLC) Qualified Product

### APPLICATIONS

Any heavy duty industrial application. Indoor and outdoor flood, wall pack and ceiling lighting applications. For use where long life lamp source is required, medium to high mounting applications, wet & dry locations, high vibrations, wall & pole mounting, low clearance and mobile equipment.

### DIMENSIONS



[www.lumisave.com](http://www.lumisave.com)

LUMISAVE INDUSTRIAL LED TECHNOLOGIES LTD.

1-855-563-7284

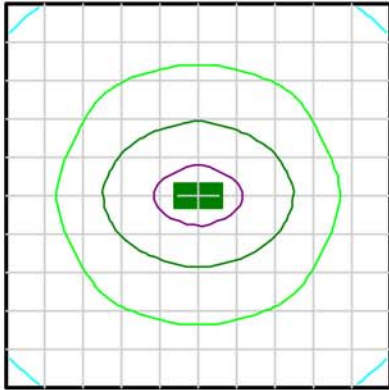


# HEAVY INDUSTRIAL FLOOD LIGHT FL395 SERIES

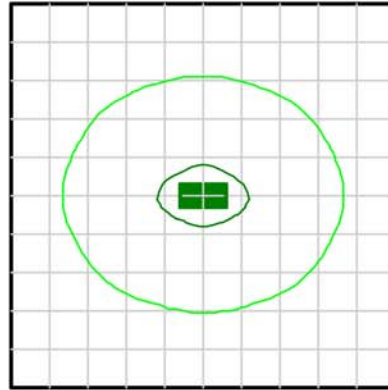
## 150W



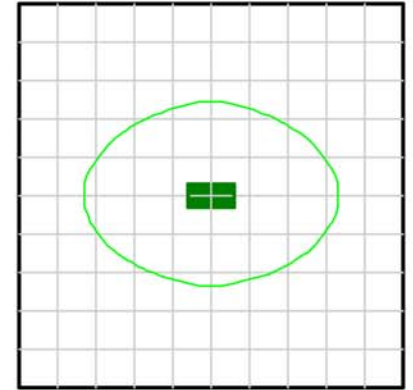
### PHOTOMETRY



■ 20 fc    ■ 10 fc    ■ 1 fc  
■ 15 fc    ■ 5 fc    ■ 0.5 fc  
 Fixture mounted @ 20ft | Calculation grid 50ft x 50ft

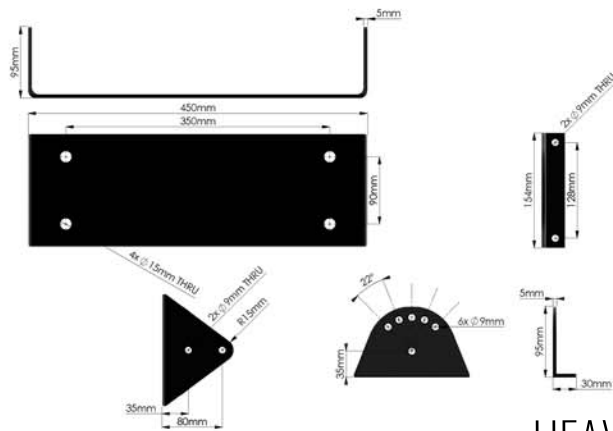


■ 20 fc    ■ 10 fc    ■ 1 fc  
■ 15 fc    ■ 5 fc    ■ 0.5 fc  
 Fixture mounted @ 25ft | Calculation grid 50ft x 50ft



■ 20 fc    ■ 10 fc    ■ 1 fc  
■ 15 fc    ■ 5 fc    ■ 0.5 fc  
 Fixture mounted @ 30ft | Calculation grid 50ft x 50ft

### MOUNTING



HEAVY DUTY BRACKET

### ORDERING INFORMATION

PART NUMBER EXAMPLE: LS-FL395-150W-MV-LX-W7-BH-H1

LS-FL395-

**WATTAGE**

150W

**VOLTAGE**

MV 120-277V  
HV 347-480V

**LENS**

LX LEXAN DIFFUSER  
LF FROSTED DIFFUSER

**CABLE WHIP**

W7 7' WHIP  
W(X) CUSTOM WHIP

**MOUNTING**

BH HEAVY DUTY BRACKET  
BC CUSTOM BRACKET

**HAZLOC**

H1 HAZARDOUS