



# INDUSTRIAL FLOOD LIGHT FL390 SERIES

## 150W



### FL390 INDUSTRIAL FLOOD LIGHT

When a long life lamp is required, please consider the FL390 series. Customizable options such as lenses, mounting and voltage make our product fit each of our customer's needs. The FL390 is one of the roughest and toughest products in our lineup. The FL390 is customizable to meet all applications.

**Class I, Div 2-T3A, Class I, Zone 2-T3A  
Class II & III, Div 2-T5**

### TECHNICAL SPECIFICATIONS

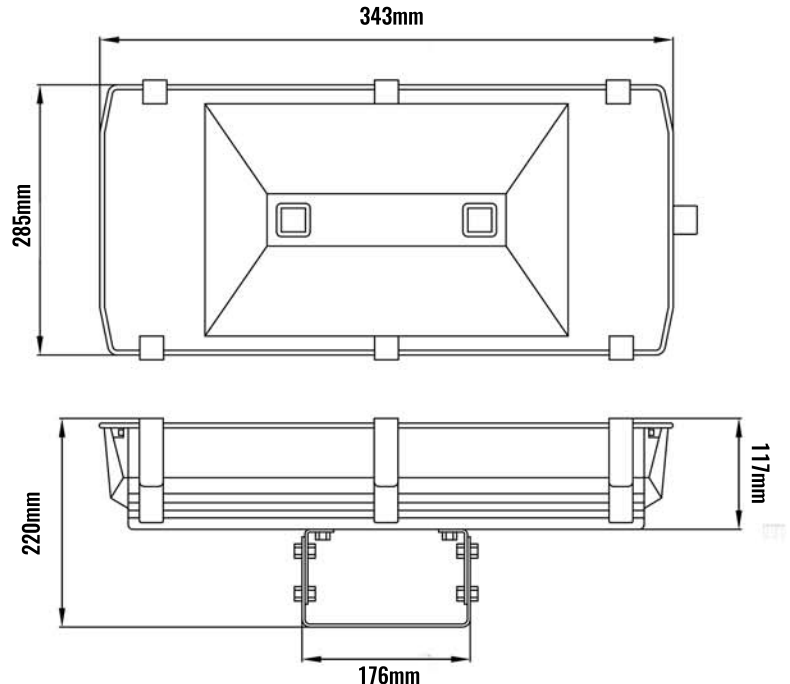
VOLTAGE	120-277V or 347-480V
POWER FACTOR	≤ 95%
LED LUMINOUS EFFICIENCY	150 (LM/W)
MAX LUMEN OUTPUT	16,972 LM
COLOUR TEMPERATURE	5000K
COLOUR RENDERING INDEX	Ra>70
LENS	Lexan/Tempered Glass
PROTECTION	Wet Location IP65
FREQUENCY	50/60Hz

LED CHIP	SAMSUNG LH351B LED
LED DRIVER	MEANWELL
MAXIMUM INTENSITY ANGLE	≥ 120 Degree
WORK TEMPERATURE	-40°C to +40°C
WORK HUMIDITY	10% to 95% RH
CHIP LIFE EXPECTANCY	80,000 Hours
FIXTURE	Black Aluminum Alloy Housing
WEIGHT	13.2kg
APPROVED	ETL Listed Tested To CSA and UL Standards DesignLights Consortium (DLC) Qualified Product

### APPLICATIONS

Any industrial application, indoor and outdoor flood, wall pack and ceiling lighting applications. For use where long life lamp source is required, medium to high mounting applications, wet & dry locations, high vibrations, wall & pole mounting, low clearance and mobile equipment.

### DIMENSIONS



[www.lumisave.com](http://www.lumisave.com)

LUMISAVE INDUSTRIAL LED TECHNOLOGIES LTD.

1-855-563-7284

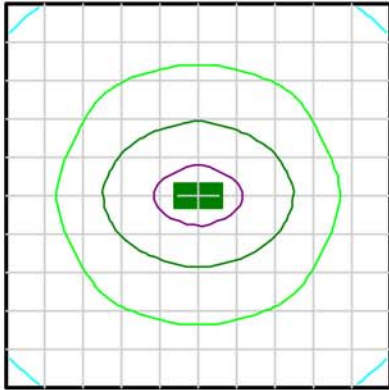


# INDUSTRIAL FLOOD LIGHT FL390 SERIES

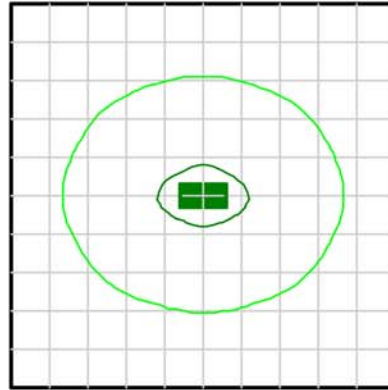
## 150W



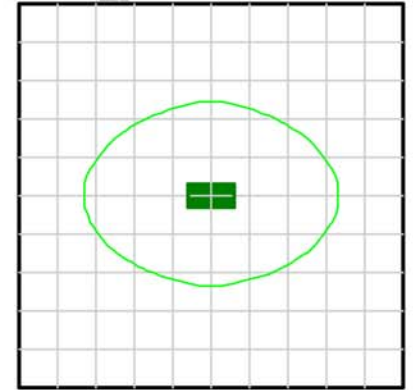
### PHOTOMETRY



■ 20 fc    ■ 10 fc    ■ 1 fc  
■ 15 fc    ■ 5 fc    ■ 0.5 fc  
 Fixture mounted @ 20ft | Calculation grid 50ft x 50ft

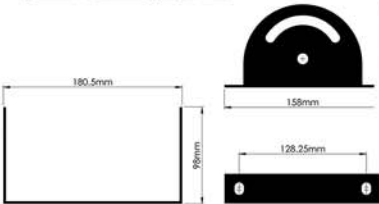
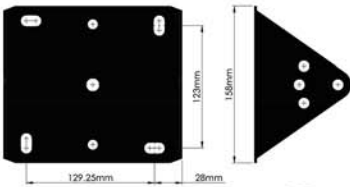


■ 20 fc    ■ 10 fc    ■ 1 fc  
■ 15 fc    ■ 5 fc    ■ 0.5 fc  
 Fixture mounted @ 25ft | Calculation grid 50ft x 50ft



■ 20 fc    ■ 10 fc    ■ 1 fc  
■ 15 fc    ■ 5 fc    ■ 0.5 fc  
 Fixture mounted @ 30ft | Calculation grid 50ft x 50ft

### MOUNTING



STANDARD BRACKET



HEAVY DUTY BRACKET



SLIP FITTER



END CAP BRACKET

### ORDERING INFORMATION

PART NUMBER EXAMPLE: LS-FL390-150W-MV-LT-W7-BS-H0

LS-FL390-

#### WATTAGE

150W

#### VOLTAGE

MV 120-277V  
HV 347-480V

#### LENS

LT TEMPERED GLASS  
LX CLEAR LEXAN  
LTF FROSTED GLASS  
LXF FROSTED LEXAN

#### CABLE WHIP

W7 7' WHIP  
W(X) CUSTOM WHIP

#### MOUNTING

BS STANDARD BRACKET  
BH HEAVY DUTY BRACKET  
BE ENDCAP BRACKET  
BC CUSTOM BRACKET

#### HAZLOC

H0 NON HAZARDOUS  
H1 HAZARDOUS