



INDUSTRIAL FLOOD LIGHT FL360 SERIES

60W/80W



FL360 INDUSTRIAL FLOOD LIGHT

For use in Area Lighting, narrow beam spread (good for replacing 250W HID wall mounts), medium mounting heights, wet & dry locations, storage areas, high vibration, blasting drills and mobile equipment, the FL360 Series is one of our most diverse products.

**Class I, Div 2-T4, Class I, Zone 2-T4
Class II & III, Div 2-T5**

TECHNICAL SPECIFICATIONS

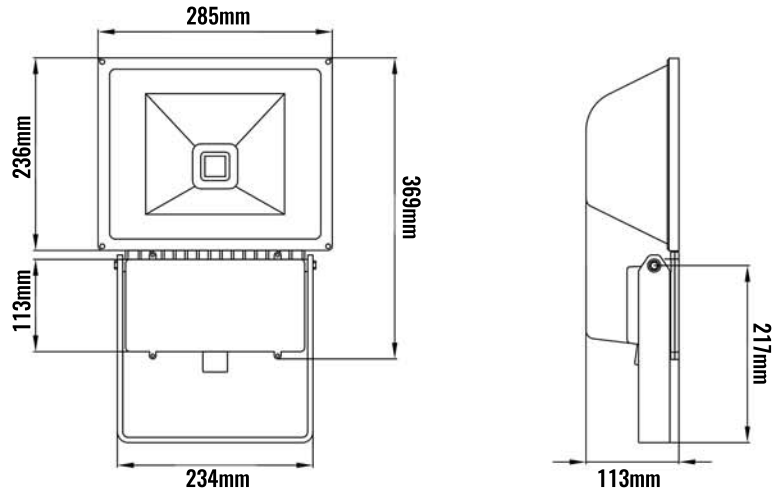
VOLTAGE	120-277V
POWER FACTOR	≤ 95%
LED LUMINOUS EFFICIENCY	150 (LM/W)
MAX LUMEN OUTPUT	8201 LM
COLOUR TEMPERATURE	5000K
COLOUR RENDERING INDEX	Ra>70
LENS	Lexan/Tempered Glass
PROTECTION	Wet Location IP65
FREQUENCY	50/60Hz

LED CHIP	SAMSUNG LH351B LED
LED DRIVER	MEANWELL
MAXIMUM INTENSITY ANGLE	≥ 120 Degree
WORK TEMPERATURE	-40°C to +40°C
WORK HUMIDITY	10% to 95% RH
CHIP LIFE EXPECTANCY	80,000 Hours
FIXTURE	Black Aluminum Alloy Housing
WEIGHT	8kg
APPROVED	ETL Listed Tested To CSA and UL Standards DesignLights Consortium (DLC) Qualified Product

APPLICATIONS

Indoors or outdoors? It doesn't matter to the FL360 Series. Great light for doorways, stairwells and wall pack applications. Water resistant and tolerant to high vibrations, this light is good for nearly everywhere. Suggested for pathways, walkways, billboards, security, entrances, overhead doors, low/high mounting heights, wet & dry locations, high vibrations and mobile equipment. Certified for general or hazardous locations.

DIMENSIONS



www.lumisave.com

LUMISAVE INDUSTRIAL LED TECHNOLOGIES LTD.

1-855-563-7284

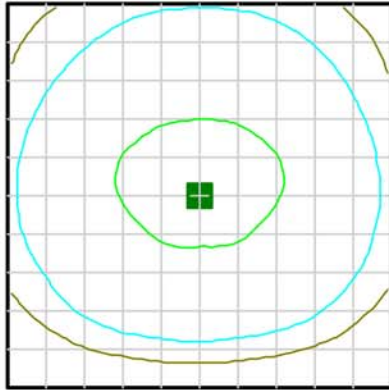


INDUSTRIAL FLOOD LIGHT FL360 SERIES

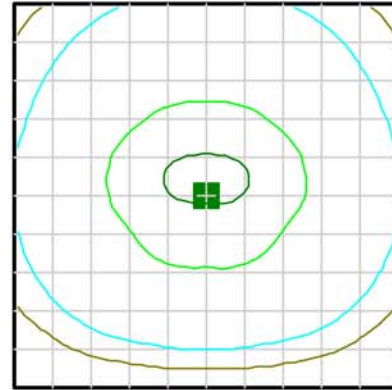
60W/80W



PHOTOMETRY

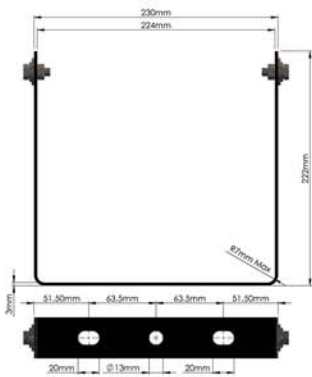


■ 20 fc ■ 10 fc ■ 1 fc
■ 15 fc ■ 5 fc ■ 0.5 fc
 Fixture mounted @ 20ft | Calculation grid 50ft x 50ft
 LS-FL360-60W-MV-LT-W7-BS-HO



■ 20 fc ■ 10 fc ■ 1 fc
■ 15 fc ■ 5 fc ■ 0.5 fc
 Fixture mounted @ 20ft | Calculation grid 50ft x 50ft
 LS-FL360-80W-MV-LT-W7-BS-HO

MOUNTING



STANDARD BRACKET



MAGNETIC MOUNT



SLIP FITTER



HEAVY DUTY BRACKET

ORDERING INFORMATION

PART NUMBER EXAMPLE: LS-FL360-60W-MV-LT-W7-BS-HO

LS-FL360-

WATTAGE

60W
80W

VOLTAGE

MV 120-277V

LENS

LT TEMPERED GLASS
LX CLEAR LEXAN
LTF FROSTED GLASS
LXF FROSTED LEXAN

CABLE WHIP

W7 7' WHIP
W(X) CUSTOM WHIP

MOUNTING

BS STANDARD BRACKET
BH HEAVY DUTY BRACKET
BE ENDCAP BRACKET
MM MAGNETIC MOUNT

HAZLOC

H0 NON HAZARDOUS
H1 HAZARDOUS