



INDUSTRIAL FLOOD LIGHT FL290 SERIES

40W/50W



FL290 INDUSTRIAL FLOOD LIGHT

Our rugged aluminum powder coated fixture housing is built for commercial and industrial sites. We take great care in the construction of each of our fixtures and we are proud to offer one of the best warranties in the industry. We are also happy to offer many accessories for this tough fixture.

**Class I, Div 2-T3, Class I, Zone 2-T3
Class II & III, Div 2-T5**

TECHNICAL SPECIFICATIONS

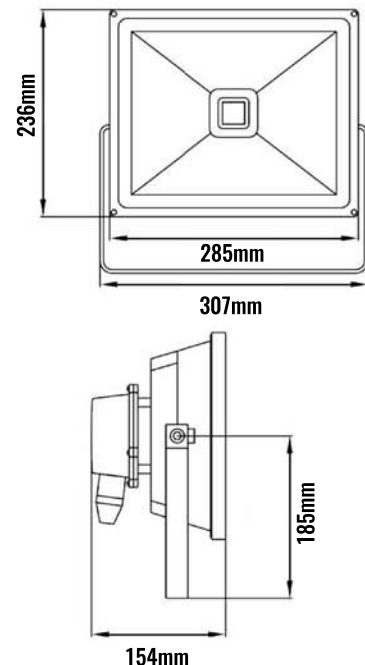
VOLTAGE	120-277V or 347-480V
POWER FACTOR	≤ 95%
LED LUMINOUS EFFICIENCY	150 (LM/W)
MAX LUMEN OUTPUT	4133 LM
COLOUR TEMPERATURE	5000K
COLOUR RENDERING INDEX	Ra>70
LENS	Lexan/Tempered Glass
PROTECTION	Wet Location IP65
FREQUENCY	50/60Hz

LED CHIP	SAMSUNG LH351B LED
LED DRIVER	MEANWELL
MAXIMUM INTENSITY ANGLE	≥ 120 Degree
WORK TEMPERATURE	-40°C to +40°C
WORK HUMIDITY	10% to 95% RH
CHIP LIFE EXPECTANCY	80,000 Hours
FIXTURE	Black Aluminum Alloy Housing
WEIGHT	5.5kg
APPROVED	ETL Listed Tested To CSA and UL Standards DesignLights Consortium (DLC) Qualified Product

APPLICATIONS

Indoors or outdoors? It doesn't matter to the FL290 Series. Great light for doorways, stairwells and wall pack applications. Water resistant and tolerant to high vibrations, this light is good for nearly everywhere. Suggested for pathways, walkways, billboards, security, entrances, overhead doors, low/high mounting heights, wet & dry locations, high vibrations and mobile equipment. Certified for general or hazardous locations.

DIMENSIONS



www.lumisave.com

LUMISAVE INDUSTRIAL LED TECHNOLOGIES LTD.

1-855-563-7284

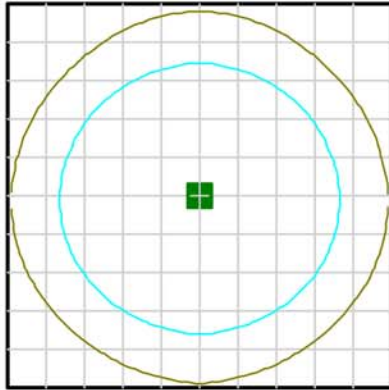


INDUSTRIAL FLOOD LIGHT FL290 SERIES

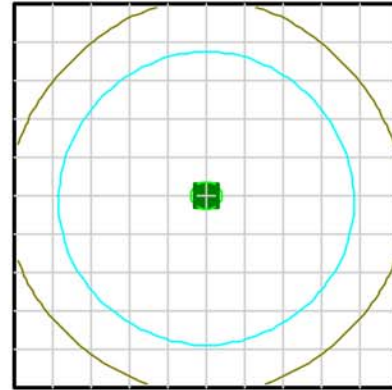
40W/50W



PHOTOMETRY

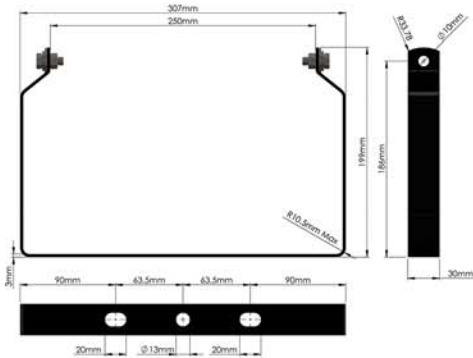


■ 20 fc ■ 10 fc ■ 1 fc
■ 15 fc ■ 5 fc ■ 0.5 fc
 Fixture mounted @ 20ft | Calculation grid 50ft x 50ft
 LS-FL290-40W-MV-LT-W7-BS-HO



■ 20 fc ■ 10 fc ■ 1 fc
■ 15 fc ■ 5 fc ■ 0.5 fc
 Fixture mounted @ 20ft | Calculation grid 50ft x 50ft
 LS-FL290-50W-MV-LT-W7-BS-HO

MOUNTING



STANDARD BRACKET



MAGNETIC MOUNT

SLIP FITTER



HEAVY DUTY BRACKET

ORDERING INFORMATION

PART NUMBER EXAMPLE: LS-FL290-40W-MV-LT-W7-BS-HO

LS-FL290-

WATTAGE

40W
50W

VOLTAGE

MV 120-277V
HV 347-480V

LENS

LT TEMPERED GLASS
LX CLEAR LEXAN
LTF FROSTED GLASS
LXF FROSTED LEXAN

CABLE WHIP

W7 7' WHIP
W(X) CUSTOM WHIP

MOUNTING

BS STANDARD BRACKET
BH HEAVY DUTY BRACKET
BE ENDCAP BRACKET
MM MAGNETIC MOUNT

HAZLOC

H0 NON HAZARDOUS
H1 HAZARDOUS