



INDUSTRIAL FLOOD LIGHT FL225 SERIES

10W/20W/30W



FL225 INDUSTRIAL FLOOD LIGHT

The high-powered LED chip offers superior brightness, proven to eliminate safety concerns while providing exceptional light quality for highly productive environments. Customizable options such as lenses, mounting brackets and various voltages make our product fit each customer's needs.

**Class I, Div 2-T3, Class I, Zone 2-T3
Class II & III, Div 2-T2**

TECHNICAL SPECIFICATIONS

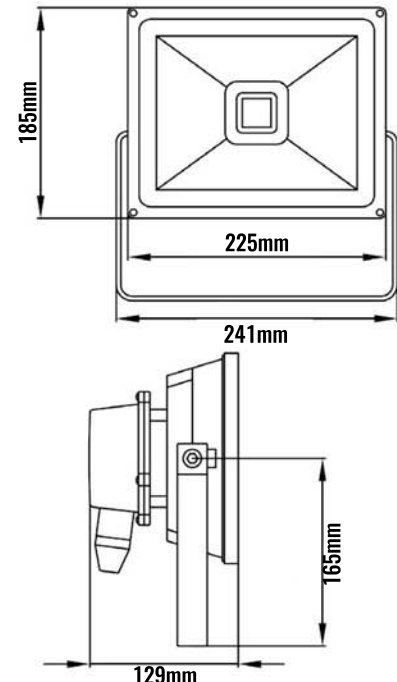
VOLTAGE	120-277V
POWER FACTOR	≤ 95%
LED LUMINOUS EFFICIENCY	100 (LM/W)
MAX LUMEN OUTPUT	2943 LM
COLOUR TEMPERATURE	5000K
COLOUR RENDERING INDEX	Ra>70
LENS	Lexan/Tempered Glass
PROTECTION	Wet Location IP65
FREQUENCY	50/60Hz

LED CHIP	BRIDGELUX LED
LED DRIVER	MEANWELL
MAXIMUM INTENSITY ANGLE	≥ 120 Degree
WORK TEMPERATURE	-40°C to +40°C
WORK HUMIDITY	10% to 95% RH
CHIP LIFE EXPECTANCY	80,000 Hours
FIXTURE	Black Aluminum Alloy Housing
WEIGHT	4.5kg
APPROVED	ETL Listed Tested To CSA and UL Standards

APPLICATIONS

Pathways, Walkways, Entrances, and overhead doors are typical situations you can find the FL225 Series excelling in. There is no shortage of places where this multi functional light can shine. Low & high mounting, wet & dry locations, high security situations or accent lighting. It can tolerate large amounts of abuse before the first signs of wear and tear. Certified for general or hazardous locations.

DIMENSIONS



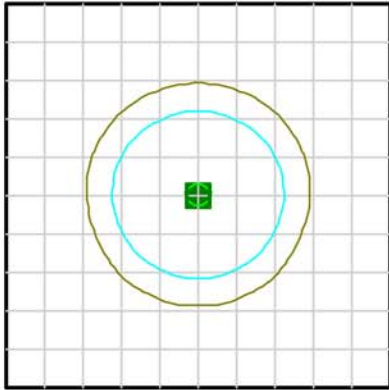


INDUSTRIAL FLOOD LIGHT FL225 SERIES

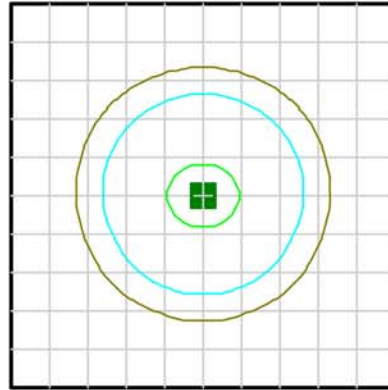
10W/20W/30W



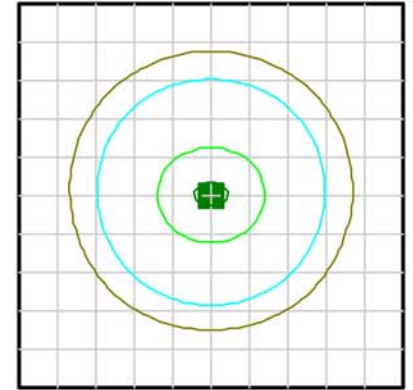
PHOTOMETRY



■ 20 fc ■ 10 fc ■ 1 fc
■ 15 fc ■ 5 fc ■ 0.5 fc
 Fixture mounted @ 10ft | Calculation grid 50ft x 50ft
 LS-FL225-10W-MV-LT-W7-BS-HO

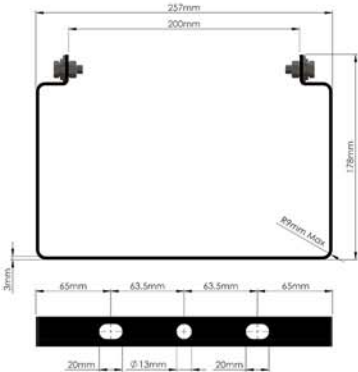


■ 20 fc ■ 10 fc ■ 1 fc
■ 15 fc ■ 5 fc ■ 0.5 fc
 Fixture mounted @ 10ft | Calculation grid 50ft x 50ft
 LS-FL225-20W-MV-LT-W7-BS-HO



■ 20 fc ■ 10 fc ■ 1 fc
■ 15 fc ■ 5 fc ■ 0.5 fc
 Fixture mounted @ 10ft | Calculation grid 50ft x 50ft
 LS-FL225-30W-MV-LT-W7-BS-HO

MOUNTING



STANDARD BRACKET



MAGNETIC MOUNT



SLIP FITTER



HEAVY DUTY BRACKET

ORDERING INFORMATION

PART NUMBER EXAMPLE: LS-FL225-10W-MV-LT-W7-BS-HO

LS-FL225-

WATTAGE

10W
20W
30W

VOLTAGE

MV 120-277V

LENS

LT TEMPERED GLASS
LX CLEAR LEXAN
LTF FROSTED GLASS
LXF FROSTED LEXAN

CABLE WHIP

W7 7' WHIP
W(X) CUSTOM WHIP

MOUNTING

BS STANDARD BRACKET
BH HEAVY DUTY BRACKET
BE ENDCAP BRACKET
MM MAGNETIC MOUNT

HAZLOC

H0 NON HAZARDOUS
H1 HAZARDOUS