



INDUSTRIAL BAY LIGHT BL520 SERIES

100W/150W/200W



BL520 INDUSTRIAL BAY LIGHT

The high-powered LED chip offers superior brightness, proven to eliminate safety concerns while providing exceptional light quality for highly productive environments. It can be mounted from above or by using a wall mount. It is useful for high humidity work places as well as frigid and hostile locations.

**Class I, Div 2-T3, Class I, Zone 2-T3
Class II & III, Div 2-T5**

TECHNICAL SPECIFICATIONS

VOLTAGE	120-277V or 347-480V
POWER FACTOR	≤ 95%
LED LUMINOUS EFFICIENCY	150 (LM/W)
MAX LUMEN OUTPUT	19,167 LM
COLOUR TEMPERATURE	5000K
COLOUR RENDERING INDEX	Ra>70
LENS	Tempered Glass
PROTECTION	Wet Location IP65
FREQUENCY	50/60Hz

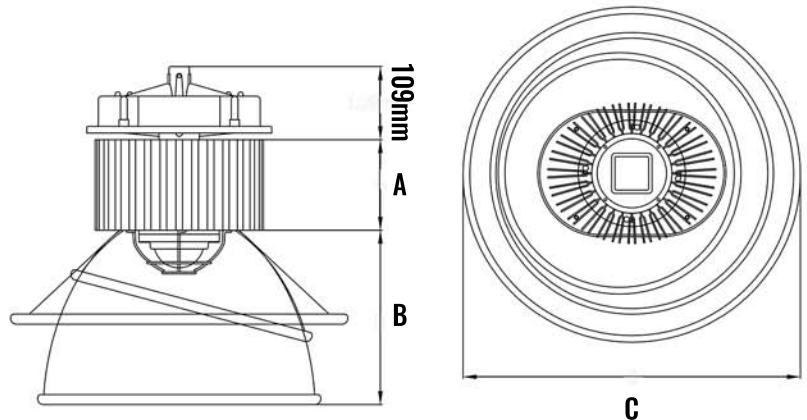
LED CHIP	SAMSUNG LH351B LED
LED DRIVER	MEANWELL
MAXIMUM INTENSITY ANGLE	≥ 120 Degree
WORK TEMPERATURE	-40°C to +40°C
WORK HUMIDITY	10% to 95% RH
CHIP LIFE EXPECTANCY	80,000 Hours
FIXTURE	Black Aluminum Alloy Housing
WEIGHT	9kg/10.6kg/12.2kg
APPROVED	ETL Listed Tested To CSA and UL Standards DesignLights Consortium (DLC) Qualified Product

APPLICATIONS

Use the 150/200W Bay Light series LED to replace your old 400W lighting system. This 1-for-1 HID equivalent eliminates your relamping costs, and reduce your energy consumption by up to 60%, delivering more light more efficiently. Find this fixture used in warehouses, manufacturing plants, high mounting applications, chemical plants and storage buildings, where long life light source is required.

DIMENSIONS

A		B					
		RS	RD	RA	RC	RN	DGW
100W	150mm	140mm	260mm	260mm	165mm	55mm	65mm
150W	180mm	140mm	260mm	260mm	165mm	55mm	65mm
200W	250mm	140mm	260mm	260mm	165mm	55mm	65mm
	C	500mm	420mm	420mm	360mm	280mm	280mm



www.lumisave.com

LUMISAVE INDUSTRIAL LED TECHNOLOGIES LTD.

1-855-563-7284

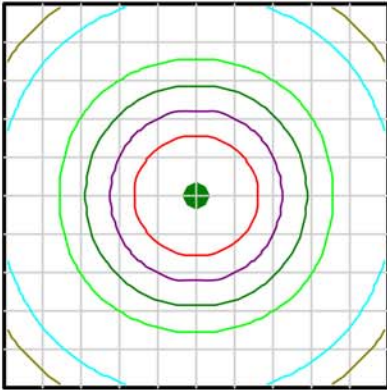


INDUSTRIAL BAY LIGHT BL520 SERIES

100W/150W/200W



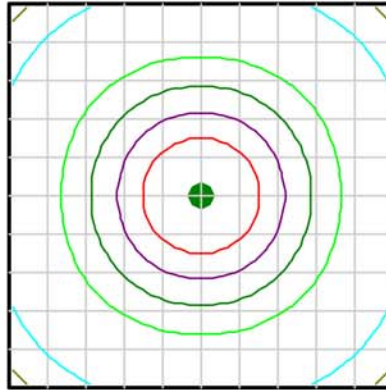
PHOTOMETRY



■ 20 fc ■ 10 fc ■ 1 fc
■ 15 fc ■ 5 fc ■ 0.5 fc

Fixture mounted @ 20ft | Calculation grid 50ft x 50ft

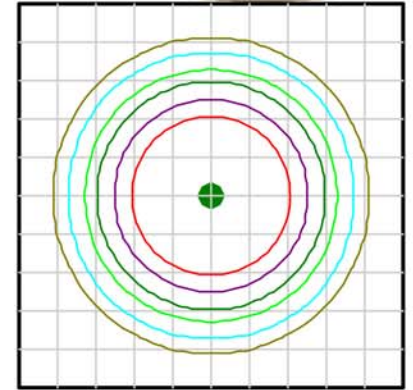
LS-BL520-200W-MV-DC-RA-W7-MH-HO



■ 20 fc ■ 10 fc ■ 1 fc
■ 15 fc ■ 5 fc ■ 0.5 fc

Fixture mounted @ 20ft | Calculation grid 50ft x 50ft

LS-BL520-200W-MV-DC-RS-W7-MH-HO



■ 20 fc ■ 10 fc ■ 1 fc
■ 15 fc ■ 5 fc ■ 0.5 fc

Fixture mounted @ 20ft | Calculation grid 50ft x 50ft

LS-BL520-200W-MV-DC-RD-W7-MH-HO

MOUNTING



HOOK MOUNT
(MH)



PENDANT MOUNT
(MP)



STANCHION MOUNT
(UMS)



WALL MOUNT
(UMS)



RETROFIT
(UAP)

ORDERING INFORMATION

PART NUMBER EXAMPLE: LS-BL520-100W-MV-DG-RN-W7-MH-HO

LS-BL520-

WATTAGE

100W
150W
200W

VOLTAGE

MV 120-277V
HV 347-480V

LENS

DG GLASS DOME
DGF FROSTED GLASS
D(X)W WIRE GUARD

REFLECTOR

RN NO REFLECTOR
RS SHALLOW REFLECTOR
RD DEEP REFLECTOR
RA LEXAN REFLECTOR
RC CUTOFF REFLECTOR

CABLE WHIP

W1 UMS & UAP
W7 7' WHIP
W(X) CUSTOM WHIP

MOUNTING

MH MALE THREAD HOOK
MP 1/2" PENDANT MOUNT
UMS UNIVERSAL MOUNT
UAP ADAPTOR PLATE

HAZLOC

H0 NON HAZARDOUS
H1 HAZARDOUS