



INDUSTRIAL BAY LIGHT BL420 SERIES

30W/60W/80W



BL420 INDUSTRIAL BAY LIGHT

The high-powered LED chip offers superior brightness, proven to eliminate safety concerns while providing exceptional light quality for highly productive environments. Use the 80 watt Bay Series LED to replace your old 250W lighting system eliminating your relamping cost and reducing energy consumption by up to 70%.

**Class I, Div 2-T4, Class I, Zone 2-T4
Class II & III, Div 2-T5**

TECHNICAL SPECIFICATIONS

| | |
|-------------------------|----------------------|
| VOLTAGE | 120-277V or 347-480V |
| POWER FACTOR | ≤ 95% |
| LED LUMINOUS EFFICIENCY | 150 (LM/W) |
| MAX LUMEN OUTPUT | 9525 LM |
| COLOUR TEMPERATURE | 5000K |
| COLOUR RENDERING INDEX | Ra>70 |
| LENS | Lexan/Tempered Glass |
| PROTECTION | Wet Location IP65 |
| FREQUENCY | 50/60Hz |

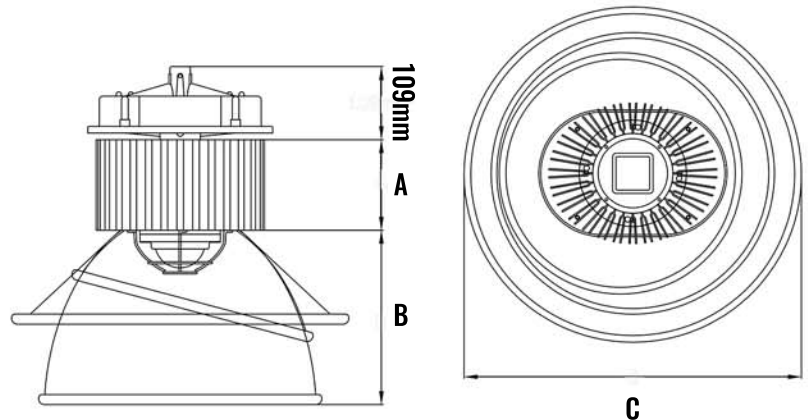
| | |
|-------------------------|--|
| LED CHIP | SAMSUNG LH351B LED |
| LED DRIVER | MEANWELL |
| MAXIMUM INTENSITY ANGLE | ≥ 120 Degree |
| WORK TEMPERATURE | -40°C to +40°C |
| WORK HUMIDITY | 10% to 95% RH |
| CHIP LIFE EXPECTANCY | 80,000 Hours |
| FIXTURE | Black Aluminum Alloy Housing |
| WEIGHT | 4.5kg/6.8kg/6.8kg |
| APPROVED | ETL Listed Tested To CSA and UL Standards DesignLights Consortium (DLC) Qualified Product |

APPLICATIONS

Make industrial walkways safer, low mounting situations brighter, storage areas luminous and give low clearance situations as much room as possible with the BL420. Suitable for wet and dry locations, the BL420 series will illuminate your showroom, warehouse or industrial walkway beautifully.

DIMENSIONS

| A | | B | | | | | |
|-----|-------|-------|-------|-------|-------|-------|-------|
| | | RS | RD | RA | RC | RN | DGW |
| 30W | 60mm | 140mm | 260mm | 260mm | 165mm | 55mm | 65mm |
| 60W | 135mm | 140mm | 260mm | 260mm | 165mm | 55mm | 65mm |
| 80W | 135mm | 140mm | 260mm | 260mm | 165mm | 55mm | 65mm |
| C | | 500mm | 420mm | 420mm | 360mm | 280mm | 280mm |



www.lumisave.com

LUMISAVE INDUSTRIAL LED TECHNOLOGIES LTD.

1-855-563-7284

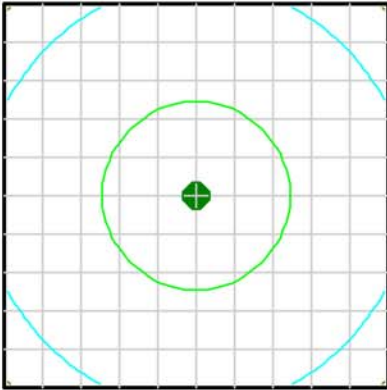


INDUSTRIAL BAY LIGHT BL420 SERIES

30W/60W/80W



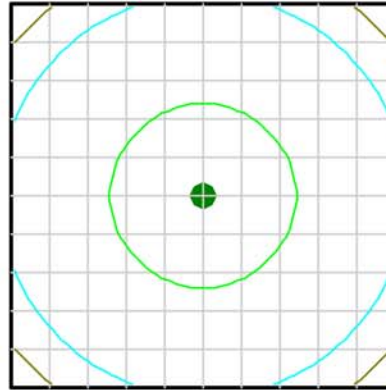
PHOTOMETRY



■ 20 fc ■ 10 fc ■ 1 fc
■ 15 fc ■ 5 fc ■ 0.5 fc

Fixture mounted @ 20ft | Calculation grid 50ft x 50ft

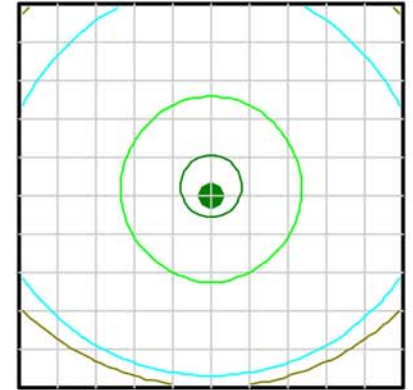
LS-BL420-80W-MV-DC-RS-W7-MH-HO



■ 20 fc ■ 10 fc ■ 1 fc
■ 15 fc ■ 5 fc ■ 0.5 fc

Fixture mounted @ 20ft | Calculation grid 50ft x 50ft

LS-BL420-80W-MV-DC-RA-W7-MH-HO



■ 20 fc ■ 10 fc ■ 1 fc
■ 15 fc ■ 5 fc ■ 0.5 fc

Fixture mounted @ 20ft | Calculation grid 50ft x 50ft

LS-BL420-80W-MV-DC-RC-W7-MH-HO

MOUNTING



HOOK MOUNT
(MH)



PENDANT MOUNT
(MP)



STANCHION MOUNT
(UMS)



WALL MOUNT
(UMS)



RETROFIT
(UAP)

ORDERING INFORMATION

PART NUMBER EXAMPLE: LS-BL420-30W-MV-DC-RN-W7-MH-HO

LS-BL420-

WATTAGE

30W
60W
80W

VOLTAGE

MV 120-277V
HV 347-480V

LENS

DC CLEAR DOME
DF FROSTED DOME

REFLECTOR

RN NO REFLECTOR
RS SHALLOW REFLECTOR
RD DEEP REFLECTOR
RA LEXAN REFLECTOR
RC CUTOFF REFLECTOR

CABLE WHIP

W1 UMS & UAP
W7 7' WHIP
W(X) CUSTOM WHIP

MOUNTING

MH MALE THREAD HOOK
MP 1/2" PENDANT MOUNT
UMS UNIVERSAL MOUNT
UAP ADAPTOR PLATE

HAZLOC

H0 NON HAZARDOUS
H1 HAZARDOUS